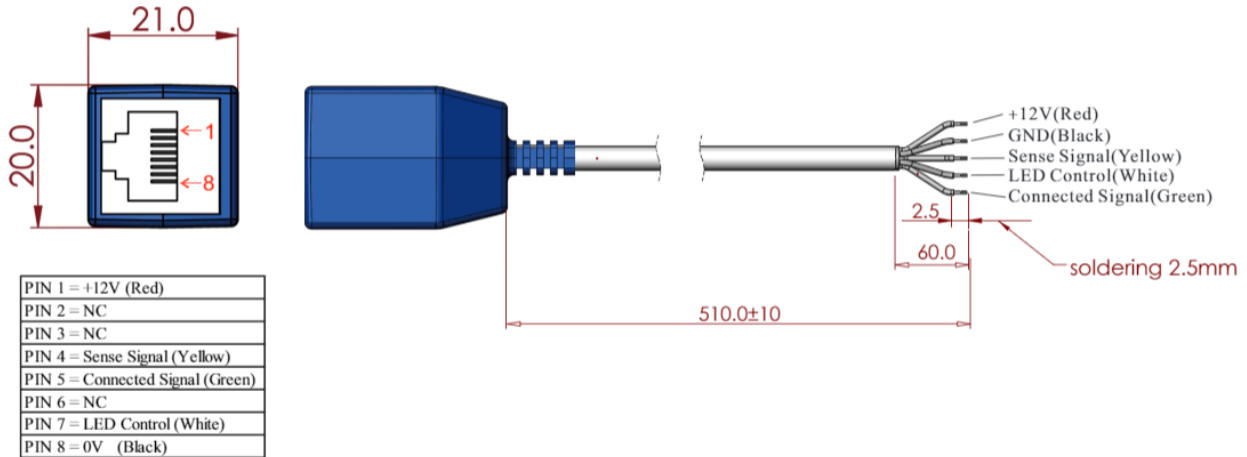




| | |
|-----------------------------|---|
| Order Code | DGEMS360CL-RJ |
| Overview | <p>A compact, low profile 360° passive infrared (PIR) sensor for connection to a compatible Extra Low Voltage Control System.</p> <p>The sensor includes a detection lens which senses both Minor and Major Movement (as defined by NEMA Standard WD 7 - 2011 for Occupancy Motion Sensors).</p> <p>Movement is detected using a sensor array with 864 fields of view, ensuring reliable operation to a distance of 7 m diameter.</p> |
| Features | <p>Connects to control systems having an extra low voltage input that can accept pulses on movement.</p> <p>High sensitivity 360° detection array designed for both minor and major movement applications.</p> <p>Unobtrusive, 60mm diameter, flush-mount design.</p> |
| Typical Applications | Cellular offices, Open plan offices, Meeting rooms, Corridors, Classrooms, Toilets. |

Pinouts



Signals and Operation

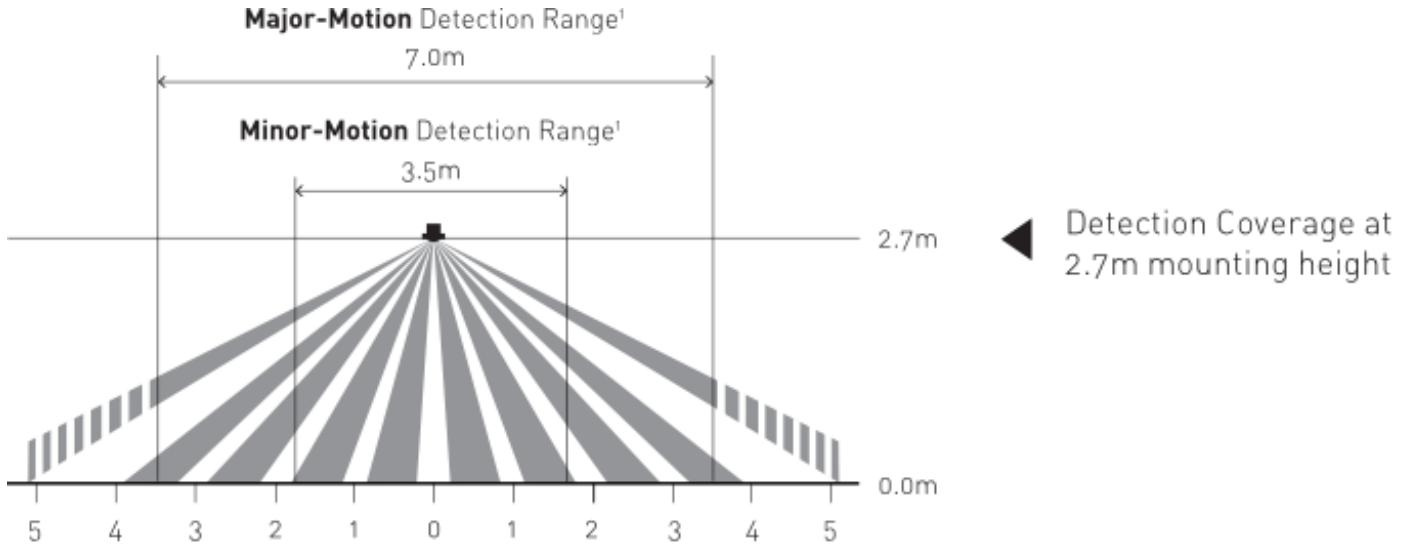
| Pin and Name | Direction | Description |
|-------------------------|-----------|---|
| Pin 1: +12 V dc | Input | 12 V dc, 10 mA required |
| Pin 4: Sense Signal | Output | When movement is detected, a logic high pulse of about 250 ms is produced, with high voltage approximately 3 V. |
| Pin 5: Connected Signal | Output | Approximately 3.3 V dc, can be used by a connected system to determine if the sensor is electrically connected. |
| Pin 7: LED Control | Input | Connect to +12V (pin 1) to illuminate a GREEN LED under the sensor dome. |
| Pin 8: 0V dc | Input | 0 V dc / power return |

LED Indications

There is a RED LED under the sensor lens, which illuminates briefly when motion is detected and is on during a warm up period after power up.

There is a GREEN LED under the sensor lens, which can be externally controlled using input pin 7.

Sensor Detection Range



¹ As defined by NEMA Standard WD 7 - 2011 for Occupancy Motion Sensors

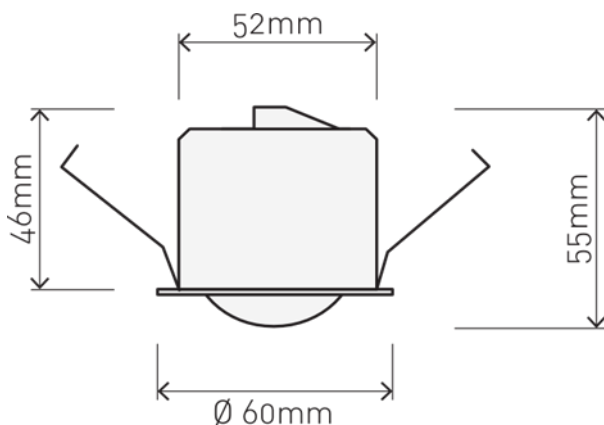
Pulse Output and Time Out

This sensor does not perform time-out functions. The pulse output allows a connected control system to perform whatever timeout is desired.

Standards & Compliance



Dimensions





ELV PIR Occupancy Sensor Mk3
Ceiling mounted high definition ELV PIR sensor
With RJ-45 connector
DATA SHEET

Contact Information

Web www.ozuno.com
All Enquiries +61 8 8362 7584 sales@ozuno.com

Ozuno Trading Pty Ltd

ABN: 96 621 194 483

This product includes a **TWO-YEAR WARRANTY** against manufacturing defects.

OZUNO is a trademark of Ozuno Holdings Limited.

COPYRIGHT © 2022 This document is copyright by Ozuno Holdings Limited. Except as permitted under relevant law, no part of this data sheet may be reproduced by any process without written permission of and acknowledgement to Ozuno.

DISCLAIMER. Ozuno Holdings Limited (Ozuno) reserves the right to alter the specifications, designs or other features of any items and to discontinue any items at any time without notice and without liability. While every effort is made to ensure that all information in this Data Sheet is correct, no warranty of accuracy is given and Ozuno shall not be liable for any error.

TRADEMARKS. The identified trademarks and copyrights are the property of Ozuno Holdings Limited unless otherwise noted.

13-17-501-901-01 November 2022