

DGOZ-DSW30x-xx - RAPIX DALI LED Modular Switches

Suitable for direct connection to a DALI line for switching, dimming, timing, group and scene control and similar functions.

Product summary and capabilities

This family of Switches comprises Master and Slave units, that are compatible with the aperture used in common wall (grid) plates.

Master switches are available in three styles, connect directly to the DALI line, and are powered from the DALI line. Master switches act as DALI Application Controllers and can perform switching, dimming, timing, group control, scene control and similar functions. Each Master switch can connect to a single Slave switch. Slave switches are also available in three styles. A Slave switch includes a cable and connector to allow it to be connected to a Master switch.

Master and Slave switch styles can be mixed in any combination, for example a push button master can be used with a rotary slave.

Master and Slave units have white LED indicators. A range of accessory packs allow bezels to be changed if different colours are desired.

The Master switches are commissioned using RAPIX Addressing or RAPIX Integrator software. These software packages are available at no charge from ozuno.com.



Important notes and safety information



WARNING – Electric shock may result in serious injury or death. Follow all warnings in this guide and on the product. Work in accordance with the latest electrical safety practices.

- The Master switches are powered only from DALI.
- DALI system wiring is only single insulated from mains. Treat DALI wiring and the Master switch the same as mains wiring.
- The Slave switches have no isolation from DALI. Treat Slave switches and their wiring the same as mains wiring.
- **On a Master switch: The Slave switch connections do not provide any power source. Connect these only to RAPIX Modular Slave Switches. Do not connect any part of the Master switch or any of its connectors to mains, neutral, earth, or any other power source.**
- **On a Slave switch: Switches are designed to be connected only to a Master switch. Do not connect a Slave switch to mains power or any other power source.**
- There are **no user serviceable parts** inside Master or Slave switches. Do not attempt to disassemble or operate the device with any covers removed.
- This product family is intended for **indoor use only**.

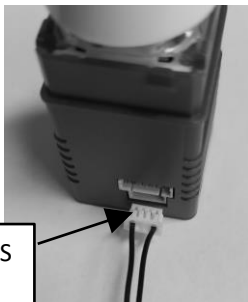
Connecting to a DALI Line



A DALI Line cable has two conductors that are not polarity sensitive. DALI Line cabling must be double-insulated and mains rated.

This product has only single insulated wiring. The wiring must only be used inside a wall box.

Each DALI Line requires an external DALI or DALI-2 compliant power supply to be connected before it will operate. A suitable product is the RAPIX DALI Power Supply, order code **DGLMPS01** (purchased separately).



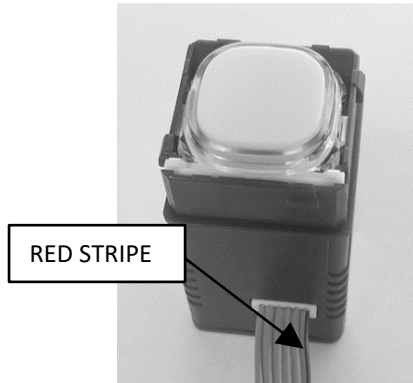
METAL PINS
VISIBLE

The DALI line is connected using the small connector with 2 wires.

The shiny metal pins should be visible for connection using the orientation shown.

Connecting a Slave to a Master

Slave switches have an integral flying lead with a female connector. Masters have a matching plug.








To connect a Slave to a Master:

1. Check carefully the connector orientation. The RED STRIPE on the cable from the Slave should be oriented toward the outside edge of the master switch body.
2. Push the cable from the slave carefully into the socket. It is a tight fit but does not require excessive force. Make sure the plug is fully pushed into the socket.

To disconnect a Slave from a Master:

1. Very carefully and gently use the cables to pull the connector out, using a little force side to side using a slight rocking motion.
2. **Do not pull hard, this will damage the wiring into the connector.**

Specifications

Parameter	Specification		
Power source	DALI line		
Compatibility	DALI and DALI-2		
DALI operating voltage	16 V dc (nominal), with suitable operation from 9.5V – 22.5 V		
DALI Line Current Draw	Master: 3 mA Slave: Additional 1 mA, only when Slave is connected to Master		
Mains tolerance	DALI input to Master switch is mains voltage tolerant		
Connection type	Master switch uses a connector with flying leads terminated in ferrule		
Wire length supplied	120 mm for Master switch / 120 mm for Slave switch		
LED Indicators	White LED indicator, configured in the RAPIX software tools		
Number of Slaves which can be connected to a Master	Master Switch Type	Slave (any type)	
	Classic	1	
	Diva	1	
	Rotary	1	
Ambient operating temperature	0 to 50° C		
Ambient storage temperature	-10 to 70° C		
Humidity	0% to 95% RH non-condensing		
Ingress protection	IP20		
Materials	Enclosure – Flame retardant Polycarbonate, UL 94V-0		
Weight	Switch Type	Master	Slave
	Classic	65 g	11 g
	Diva	65 g	11 g
	Rotary	75 g	24 g
DALI line addressing	This device does not use a DALI Short Address		
DALI addressing types supported	Short Addresses, Group Addresses, Scenes, Broadcast		
Number of RAPIX Extended Addresses used	One		
Maximum number on a DALI Line	Up to 20 mixed RAPIX sensors, switches or universal input per DALI Line		
Additional Addressing Types*	RAPIX Zones, RAPIX Flags, RAPIX Operating Properties		
Approvals	    		

* RAPIX features and additional addressing types work with other RAPIX products.

RAPIX Zero-Commissioning: Out-of-box Functions

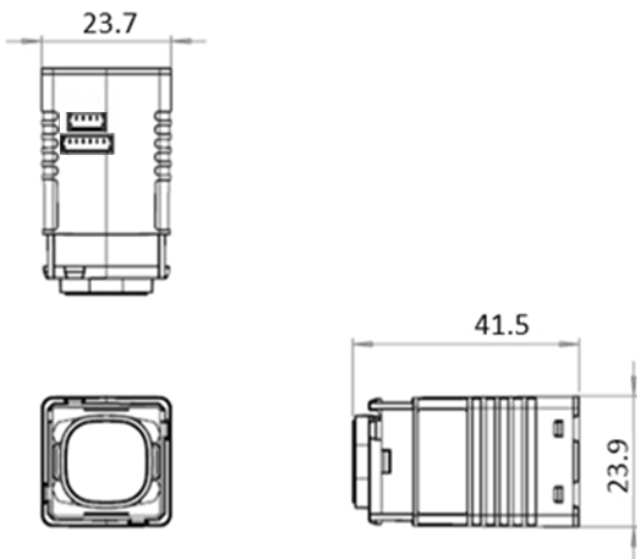
This product supports RAPIX Zero-Commissioning out of-box functions. All RAPIX Zero-Commissioning behaviour becomes automatically disabled when RAPIX software is used to perform commissioning of this product.

RAPIX Zero-Commissioning behaviour for this product will transmit DALI Broadcast commands:

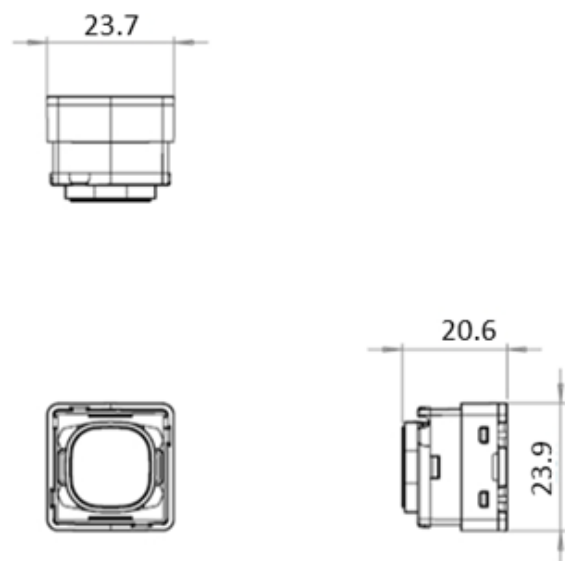
- Function: ON / OFF / DIMMING:** Push / release to transmit Broadcast ON/OFF.
 Push and hold to DIM UP/DOWN. Release to terminate the dimming.
 (Rotaries) Rotate the dial to DIM UP/DOWN, push/release to switch off or to maximum.

RAPIX DSW30 Family Modular Switch Dimensions
Master Push Button - Classic / Diva Style

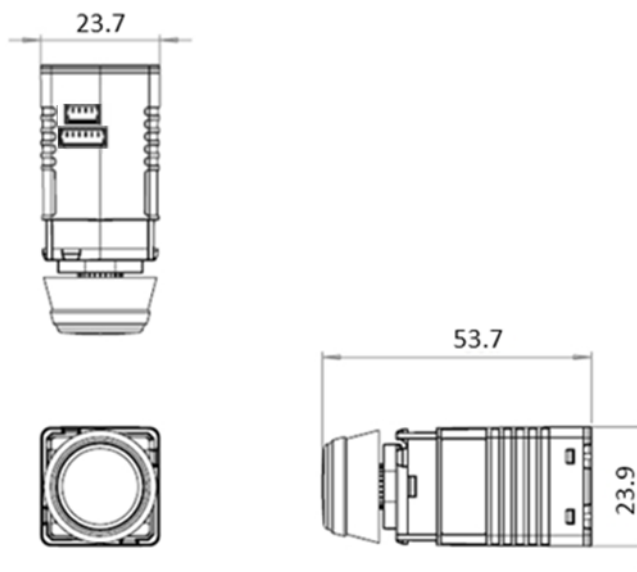
DGOZ-DSW30M-PC (Classic)
 DGOZ-DSW30M-PD (Diva)


Slave Push Button - Classic / Diva Style

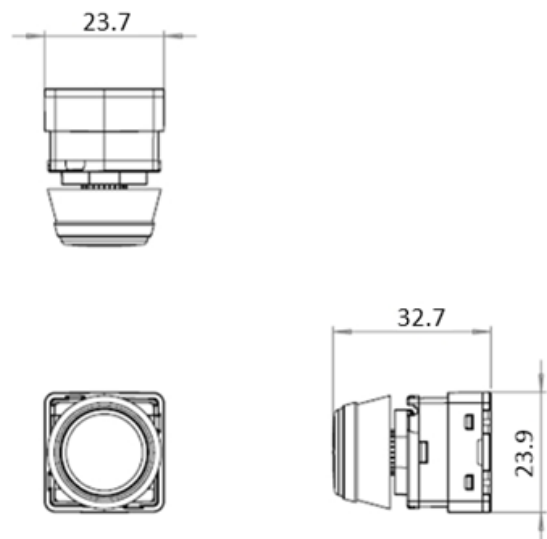
DGOZ-DSW30S-PC (Classic)
 DGOZ-DSW30S-PD (Diva)


Master Rotary Style

DGOZ-DSW30M-RT


Slave Rotary Style

DGOZ-DSW30S-RT



Standards and Compliance

The product is designed to meet/exceed the following Australian and International standards:

EMC and Electrical Safety Frameworks and Standards

EN 55015, AS/NZS CISPR 15, AS CISPR 15

EN 55032

AS/NZS CISPR 32

EN 61347-1, EN-61347-2-11

AS/NZS 60950.1

DALI Standards and Compliance

IEC 62386-101

IEC 62386-102

EU Directives

2014/35/EU Low Voltage

2014/30/EU Electromagnetic Compatibility (EMC)

2015/863 Restriction of Hazardous Substances (RoHS) in Electrical and Electronic Equipment

Warranty

This product has a TWO YEAR warranty against manufacturing defects. The warranty applies from the date of purchase.

Refer to ozuno.com for the full conditions for warranty and returns process. A summary of the process:

1. Contact the seller of the goods, or in their absence contact Ozuno to request a return goods authorisation.
2. When a return is authorised, the goods must be returned to Ozuno at the owners' expense for technical evaluation.
3. The warranty claim will be evaluated by Ozuno and accepted if the goods are found to be faulty or rejected if the fault was caused by conditions beyond the responsibility of Ozuno. Considerations of installation, removal, return, freight and testing are not the responsibility of Ozuno.

The Australian Consumer Law requires the inclusion of the following statement with this Warranty:

Our goods come with guarantees that cannot be excluded under the Australian Consumer Law. You are entitled to a replacement or refund for a major failure and for compensation for any other reasonably foreseeable loss or damage. You are also entitled to have the goods repaired or replaced if the goods fail to be of acceptable quality and the failure does not amount to a major failure.

Ozuno Trading Pty Ltd (Ozuno) reserves the right to alter the specifications, designs or other features of any items and to discontinue any items at any time without notice and without liability. While every effort is made to ensure that all information in this user and installation guide is correct, no warranty of accuracy is given and Ozuno shall not be liable for any error.

Trademarks

RAPIX is a trademark of Ozuno Holdings Limited.

DALI and DALI-2 are trademarks of the Digital Illumination Interface Alliance.

Identified trademarks and copyrights are the property of Ozuno Holdings Limited unless otherwise noted. © Copyright

© Copyright

This user and installation guide is copyright to Ozuno Holdings Limited. Except as permitted under relevant law, no part of this user and installation guide may be reproduced by any process without written permission and acknowledgement to Ozuno Holdings Limited.

Sales: Ozuno Trading Pty Ltd

ABN: 96 621 194 483

Contact

Technical Support: support@ozuno.com

Version 2, January 2023



Item 14-20-506-001-02