

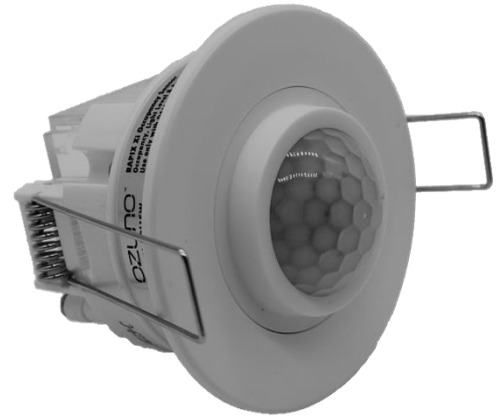
DGOZ-LRS-PRLLSW - RAPIX Long Range Occupancy/Presence Sensor

With Auxiliary Input

Product summary and capabilities

The Long Range Occupancy Sensor acts as an occupancy (presence) sensor, light level sensor and DALI Application Controller. The advanced control functions can be used in any DALI or DALI-2 system.

The sensor is commissioned using the RAPIX Addressing or RAPIX Integrator software. These software packages are available at no charge from ozuno.com.



Important notes and safety information



WARNING – Electric shock may result in serious injury or death. Follow all warnings in this guide and on the product. Work in accordance with the latest electrical safety practices.

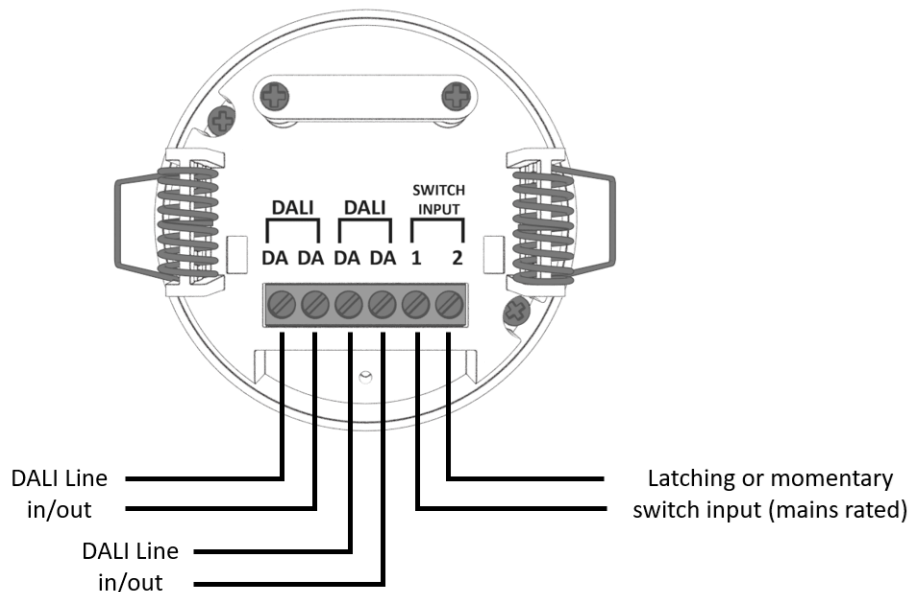
- This Sensor is powered only from DALI line.
- DALI system wiring is only single insulated from mains. Treat DALI wiring the same as mains wiring.
- The Auxiliary input wiring has no isolation from DALI. Treat the Auxiliary input the same as mains wiring.
- **The Auxiliary input does not provide any power source. Connect it only to voltage-free contacts or a switch. Do not connect any part of the Auxiliary Input to any other power source, or to earth, or to mains line or neutral.**
- There are **no user serviceable parts** inside the Sensor. Do not attempt to disassemble or operate the device with any covers removed.
- This sensor is intended for **indoor use only**.

Indicators








Discovery: The RAPIX commissioning software includes a discovery function. When activated, an indicator under the PIR lens will flash. This allows physical location of the sensor after it has been installed.

Terminals



Specifications

Sensor	
Detection range (radius)	Up to 12 metres, dependant on ceiling height. See diagrams for typical cases.
Light Level Measurement Range	0 – 4000 lux (up to firmware 1.13) 0 – 65000 lux (firmware 1.14 and later)
Power source	DALI line
Compatibility	DALI and DALI-2
DALI line capacity	Connects to 1 DALI line
DALI operating voltage	16 V dc (nominal), operation from 9.5 V – 22.5 V
DALI line current draw	2 mA (nominal)
Mains tolerance	DALI input and auxiliary input are mains voltage tolerant
DALI connection	4 Tunnel Terminal block Each tunnel suitable for 1 x 2.5 mm ² or 2 x 1.5 mm ² wires
Auxiliary connection	2 Tunnel Terminal block Each tunnel suitable for 1 x 2.5 mm ² or 2 x 1.5 mm ² wires
Maximum auxiliary cable length	25 m – when using twin core mains cable ≥ 0.75 mm ² wires
Auxiliary input types	Momentary switch, toggle switch or motion sensor voltage-free contacts
Indicators	Identification: 1 x green, front through sensor lens
Ambient operating temperature	0 to 50° C
Ambient storage temperature	-10 to 70° C
Humidity	0% to 95% RH non-condensing
Ingress protection	IP20
Materials	Enclosure – Flame retardant Polycarbonate, UL 94V-0
Weight	100 g
Number of DALI Short addresses used	This sensor does not use a DALI Short Address
DALI addressing types supported	Short Addresses, Group Addresses, Scenes, Broadcast
Number of RAPIX Extended Addresses Used	One
Number of RAPIX sensors or switches per DALI line	Any mix on a line of up to 20 RAPIX switches and sensors
Additional addressing types*	RAPIX Zones, RAPIX Flags, RAPIX Operating Properties
Approvals	    
* RAPIX features and additional addressing types work with other RAPIX products.	

Commissioning

Use the free RAPIX Addressing or RAPIX Integrator software, available at ozuno.com.

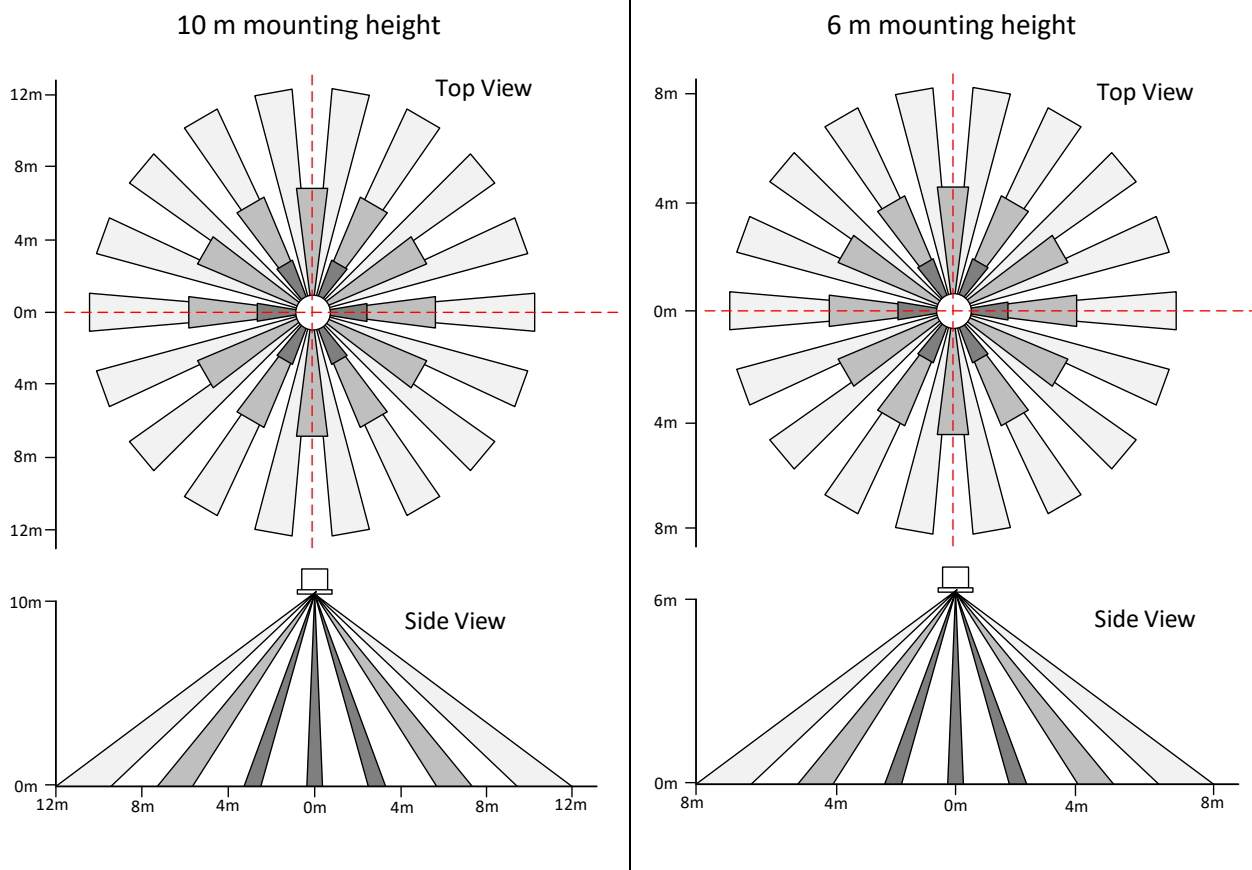
A RAPIX USB Interface or Zone Controller is required to connect the commissioning software / PC to the DALI line.

Mounting

The recommended mounting height is in the range 6 to 10 metres.

Mounting Options	
In-Ceiling Mount	Mount into a 61-72mm diameter hole in the ceiling. Sensor is retained by the pre-fitted springs.
Optional Surface Mount Adaptor (order separately)	Screw the Surface Mount adaptor over a conduit box, or break out the conduit entry knockouts and screw the Surface Mount Adaptor directly to the mounting surface. Remove pre-fitted retaining springs and plastic posts from the Sensor using side cutters. Wire as normal and clip Sensor into the Surface Mount Adaptor.

Detection Range



Standards and compliance

The product is designed to meet/exceed the following Australian and International standards:

EMC and Electrical Safety Frameworks and Standards

IEC/EN 55015, AS/NZS CISPR 15, AS CISPR 15
 EN 55032, AS/NZS CISPR32
 EN 55035
 EN 61547
 EN 61347-2-11, AS/NZS 61347.2.11
 EN 61347-1, AS/NZS 61347.1
 EN 62368-1

DALI Standards and Compliance

IEC 62386-101
 IEC 62386-102

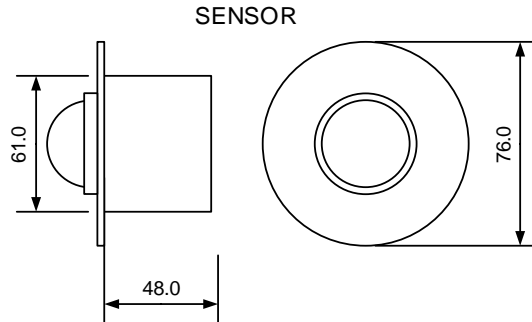
EC Council Directives

2014/35/EU Low Voltage
 2014/30/EU Electromagnetic Compatibility (EMC)
 2015/863 Restriction of Hazardous Substances (RoHS) in Electrical and Electronic Equipment

Separately Available Accessories

Surface Mount Adaptor	Screw mount, 50 mm and 60 mm spacings. Order code (white): DGOZ-SEN-SMH. Order code (black): DGOZ-SEN-SMH-BK.
Field of view mask	Allows limiting field of view by angle and segments. Order code DGOZ-SEN-FOV.

Product dimensions



Warranty

This product has a TWO YEAR warranty against manufacturing defects. The warranty applies from the date of purchase.

Refer to [ozuno.com](https://www.ozuno.com) for the full conditions for warranty and returns process. A summary of the process:

1. Contact the seller of the goods, or in their absence contact Ozuno to request a return goods authorisation.
2. When a return is authorised, the goods must be returned to Ozuno at the owners expense for technical evaluation.
3. The warranty claim will be evaluated by Ozuno and accepted if the goods are found to be faulty, or rejected if the fault was caused by conditions beyond the responsibility of Ozuno. Considerations of installation, removal, return, freight and testing are not the responsibility of Ozuno.

The Australian Consumer Law requires the inclusion of the following statement with this Warranty:

Our goods come with guarantees that cannot be excluded under the Australian Consumer Law. You are entitled to a replacement or refund for a major failure and for compensation for any other reasonably foreseeable loss or damage. You are also entitled to have the goods repaired or replaced if the goods fail to be of acceptable quality and the failure does not amount to a major failure.



Ozuno Trading Pty Ltd (Ozuno) reserves the right to alter the specifications, designs or other features of any items and to discontinue any items at any time without notice and without liability. While every effort is made to ensure that all information in this user and installation guide is correct, no warranty of accuracy is given and Ozuno shall not be liable for any error.

Trademarks

RAPIX is a trademark of Ozuno Holdings Limited.

DALI and **DALI-2** are trademarks of the Digital Illumination Interface Alliance.

Identified trademarks and copyrights are the property of Ozuno Holdings Limited unless otherwise noted.

© Copyright

This user and installation guide is copyright to Ozuno Holdings Limited. Except as permitted under relevant law, no part of this user and installation guide may be reproduced by any process without written permission and acknowledgement to Ozuno Holdings Limited.

Sales: Ozuno Trading Pty Ltd
ABN: 96 621 194 483

Contact

support@ozuno.com

Version 3, April 2022



Item 14-20-504-001-02