

LCD Touch Switch

Wall mounted control interface for the RAPIX™ Lighting Control System



Designed in Australia to meet Australian Standards and installation conditions



Introduction

Important notes



This product must only be used in conjunction with a **Diginet RAPIX™ Lighting Control System** and connected as highlighted in this guide.

There are no user serviceable parts inside this device. Do not attempt to disassemble or operate the device with any covers removed.

If you require information or assistance regarding the installation or operation of this product, contact Technical Services at Diginet Control Systems. Contact details are provided on the back cover of this guide and also at www.diginet.net.au

Product summary

The LCD Touch Switch provides a wall mounted control interface for the RAPIX™ Lighting Control System. The switch is fully configurable via **RAPIX™ Integrator** software, with a maximum of 20 touch-based buttons (over 4 pages). Each button can be assigned real names and a range of graphical interface options are selectable from a collection of themes.

A wide range of button functions are supported through **RAPIX™ Integrator** software. For example, push and hold to fade up or down, scene control, timers and many other options.

To enable quick and easy installation, the switch connects directly to a RAPIX™ eHub smart input, with no need for a separate power supply connection. It is designed to be mounted using standard Australian wall switch mounting brackets and wall boxes.

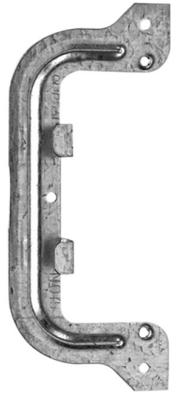
Product Features

- 3.5" colour LCD with resistive touch overlay
- Up to 20 software configurable control buttons
- Mounted using standard Australian brackets and wall boxes
- Sealed fascia for cleaning agent resistance
- Supports date and time display
- Optional beep when touched
- Customisable button names with Unicode support
- Ability to show progress of fading operations (up, down) and timer operations
- Optional fall-back page which can be configured to show a blank page, time, date and time or a definable logo
- Supports 6 common languages (English, French, German, Italian, Spanish and Simplified Chinese)
- Screen brightness can be configured via **RAPIX™ Integrator** software
- Automatic brightness control based on timeout after a touch
- Support for firmware updates

Installation and wiring

Installation

The LCD Touch Switch is designed to be mounted using standard electrical mounting accessories. For example, a Clipsal® 154 mounting bracket or 157 wall box, as shown below.



Mounting Bracket



One Gang Wall Box

Examples of typical standard electrical mounting accessories suitable for mounting the LCD Touch Switch

The LCD Touch Switch can be installed as follows

- Install the LCD Touch Switch Back Plate on the wall using an appropriate mounting accessory
- Connect the RJ-45 on the supplied adaptor cable into the rear of the front LCD Touch Switch module (see wiring section below)
- The front LCD Touch Switch assembly can then be clipped into the Back Plate

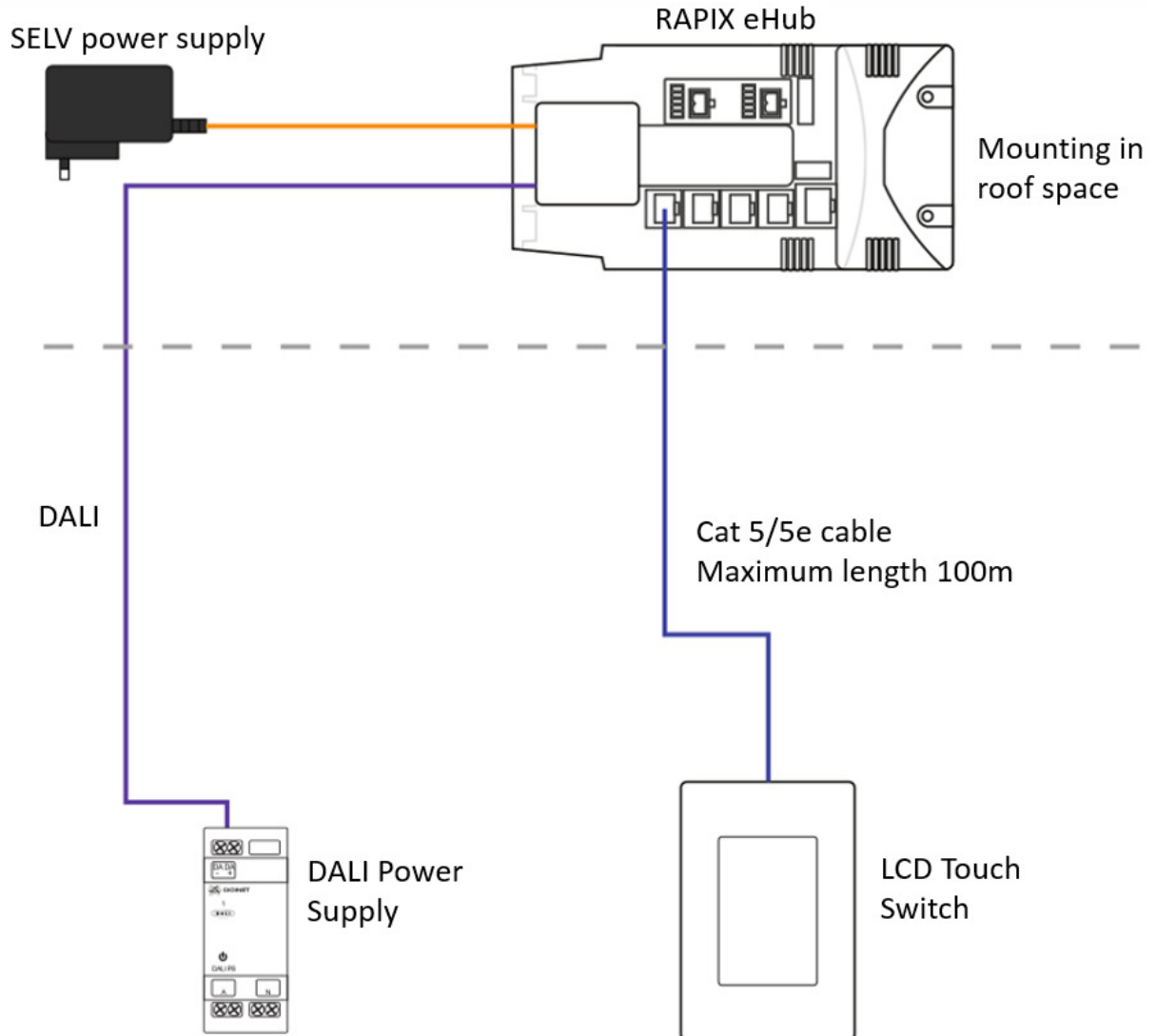


Interconnections



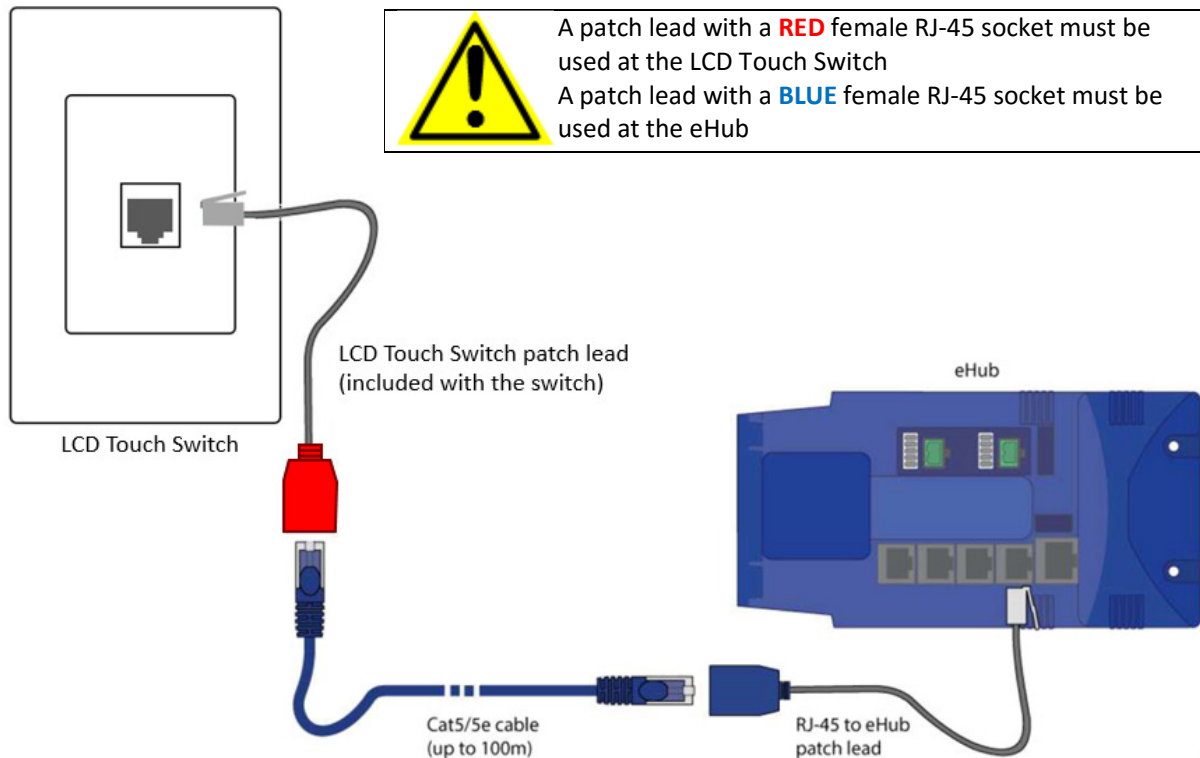
This product must only be used in conjunction with a **Diginet RAPIX™ Lighting Control System** and connected as highlighted in this guide.

The LCD Touch Switch is connected to any of the four smart device ports on a RAPIX™ eHub. Up to 100m of standard Cat 5 / Cat5e cable can be used, with the appropriate patch lead / adaptor lead at each end (see next page for details).



Wiring

The LCD Touch Switch is wired to a RAPIX™ eHub via standard Cat5/5e cable (up to 100m), with a plug in patch lead at each end. There are no additional screw-down terminations required.



The eHub powers the LCD Touch Switch via the above Cat 5/5e connection. The LCD Touch Switch does not require a separate power supply.

Configuring and Commissioning

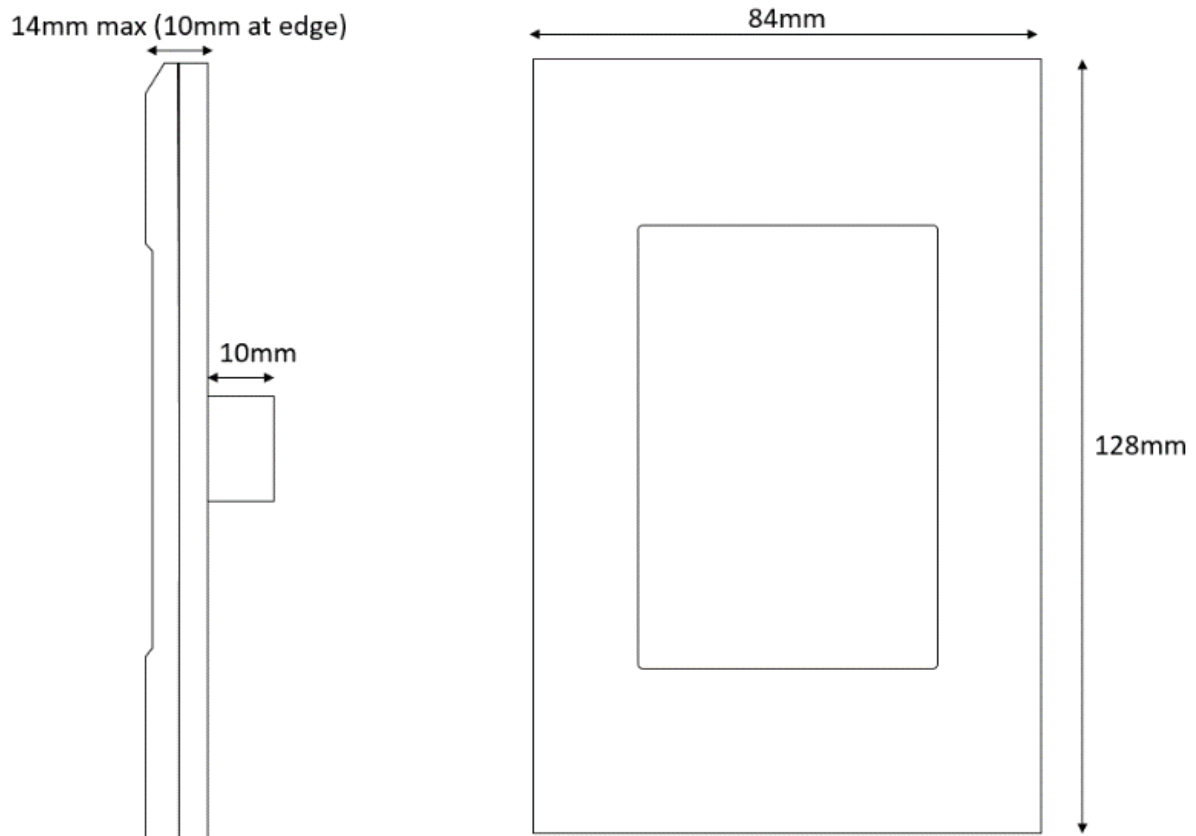
The LCD Touch Switch is configured using **RAPIX™ Integrator** Software. Contact Diginet for further details.

Specifications and standards compliance

Product specifications

Screen Size	3.5"
Screen Resolution	480 x 320 pixels
Colour depth	65K
Pixel Pitch	0.153(H)mm x 0.153(V)mm
Brightness	220cd/m (configurable in software)
Contrast Ratio	500:1
Touch Overlay Type	Resistive
Connection	Connects to eHub using RJ11/RJ12 patch lead or RJ45 patch lead
Display Viewing Area	49mm x 73mm
Weight	80g
Number of control buttons	Configurable for 1 – 20 buttons Single page: up to 6 buttons Multiple Pages: up to 5 buttons per page
Operating Temp. Range	0 – 50°C
Operating Humidity Range	10% - 95% RH non condensing
Compliance Marks	ROHS, WEEE, CE, RCM

Dimensions



Standards and compliance

The LCD Touch Switch is designed to meet/exceed the following Australian and International standards.

Australian/New Zealand EMC and Electrical Safety Frameworks and Standards

Regulation	Standard	Title
EMC	AS/NZS CISPR 22:2009 CISPR15	Information Technology Equipment – Radio Disturbance Characteristics – Limits and Methods of Measurement
	AS/NZS CISPR 22-A:2010	
Electrical Safety	AS/NZS 60950-1:2011	Information Technology Equipment – Safety

The product is in conformity with the essential requirements of the following EC Directives and accordingly carries the CE marking.

EC Council Directive	Title
2006/95/EC	Low Voltage
2004/108/EC	Electromagnetic Compatibility (EMC)
2011/65/EU	Restriction of Hazardous Substances (RoHS) in Electrical and Electronic Equipment

Product warranty

This LCD Touch Switch, item number DGOZ-TCSW-LR35, has a two-year warranty against manufacturing defects in accordance with the following terms:

1. Nothing in this Warranty affects any person's rights under the Australian Consumer Law. The benefits to any person under the Gerard Lighting Warranty are in addition to the rights and remedies available under any Consumer Guarantees.
2. Subject to the other clauses of this Warranty, Gerard Lighting warrants that the Goods will be free of manufacturing defects and will perform to Gerard Lighting's specifications.
3. The benefit of the Gerard Lighting Warranty extends only to the owner of the property in which the Goods are installed (the Owner) for two (2) years after the date of purchase (Warranty Period).
4. If within the Warranty Period the Goods fail to perform to Gerard Lighting's specifications as a result of some defect in material or workmanship in the Goods (Defect) then Gerard Lighting will, at its option, repair the Goods or supply replacement Goods free of charge.
5. The Gerard Lighting Warranty will not apply to Goods:
 - 5.1. installed by any person other than a qualified tradesperson; or
 - 5.2. subjected to misuse, neglect, negligence or accidental damage; or
 - 5.3. operated in any way contrary to any operating or maintenance instructions; or
 - 5.4. improperly handled, installed or maintained; or
 - 5.5. altered or modified prior to or after installation.
6. The Gerard Lighting Warranty does not apply to faulty or defective design of Goods unless Gerard Lighting has designed the Goods and Gerard Lighting expressly accepts responsibility for such design in writing.
7. In order to make a claim under the Gerard Lighting Warranty, the Owner must:
 - 7.1. contact Gerard Lighting to obtain a Returned Goods Authorisation Number for the Goods and to be notified of Gerard Lighting's return address for the Goods by:
 - 7.1.1. freecall 1300 95 DALI (3254); or
 - 7.1.2. post to PO Box 314, Padstow NSW 2211; or
 - 7.1.3. fax to 1300 95 3257; or
 - 7.1.4. email to sales@dignet.net.au.
 - 7.2. return the Goods at the Owners expense to the return address notified by Gerard Lighting together with all accessories, instructions, specifications or other material supplied with the Goods and a notice in writing:
 - 7.2.1. stating the Returned Goods Authorisation Number for the Goods;
 - 7.2.2. describing in detail the defect or fault in the Goods;
 - 7.2.3. setting out the Owner's contact details (including postal address, email address and telephone numbers at which the Owner can be contacted during usual business hours).
 - 7.3. Gerard Lighting will not accept any returned Goods which have not been returned strictly in accordance with the above instructions.
8. Gerard Lighting will examine any returned Goods and if Gerard Lighting determines that they are defective through no fault of the Owner and are otherwise undamaged, Gerard Lighting will repair or replace the Goods free of charge.
9. Gerard Lighting will notify the Owner whether it accepts the Goods are defective within a reasonable time of return.
10. Gerard Lighting will not be responsible for any costs of de-installation, re-installation, returning Goods or for redelivery of the Goods (whether original or repaired and/or replacement Goods) by Gerard Lighting and any other related expenses of the Owner in claiming under the Gerard Lighting Warranty.
11. Gerard Lighting will not be responsible for any loss or damage to the Goods occurring while the Goods are in transit (either on return to Gerard Lighting or upon redelivery to the Owner of the original or repaired and/or replacement Goods).
12. Gerard Lighting will not be responsible (whether arising in contract or tort (including negligence) or under any statute) for any special, indirect, incidental, consequential or economic losses or damages (including loss of data, business, profits, revenue, anticipated savings, bargain, opportunity or goodwill) whether or not the possibility of those losses or damages being suffered had been brought to the attention of Gerard Lighting.

The Australian Consumer Law requires the inclusion of the following statement with the Gerard Lighting Warranty:

Our goods come with guarantees that cannot be excluded under the Australian Consumer Law. You are entitled to a replacement or refund for a major failure and for compensation for any other reasonably foreseeable loss or damage. You are also entitled to have the goods repaired or replaced if the goods fail to be of acceptable quality and the failure does not amount to a major failure.

Gerard Lighting Pty Ltd (Gerard Lighting) reserves the right to alter the specifications, designs or other features of any items and to discontinue any items at any time without notice and without liability. While every effort is made to ensure that all information in this user and installation guide is correct, no warranty of accuracy is given and Gerard Lighting shall not be liable for any error

The identified trademarks and copyrights are the property of Gerard Lighting unless otherwise noted

Clipsal is a registered trademark of Schneider Electric Australia Pty Ltd

© Copyright

This user and installation guide is copyright to Gerard Lighting. Except as permitted under relevant law, no part of this user and installation guide may be reproduced by any process without written permission of and acknowledgement to Gerard Lighting

Diginet is a brand of Gerard Lighting

March 2017

Printed on recycled paper

WWW.DIGINET.NET.AU

Product of Gerard Lighting Pty Ltd

ABN – 89 095 788 864

96-112 Gow Street

Padstow NSW 2211

Contact

General Enquiries: 1300 95 DALI (3254) or sales@diginet.net.au

Technical Services: 1300 95 3244 or support@diginet.net.au

Fax: 1300 95 3257

Diginet is a brand of Gerard Lighting