



<b>Order Codes</b>	DGOZ-TCH-10T-PWB: 10.1" Touch display, plasterboard wall box, RAPIX Touch pre-installed
	DGOZ-TCH-10W-PWB: 10.1" Touch display, plasterboard wall box, bare-bones, Windows 10 IoT

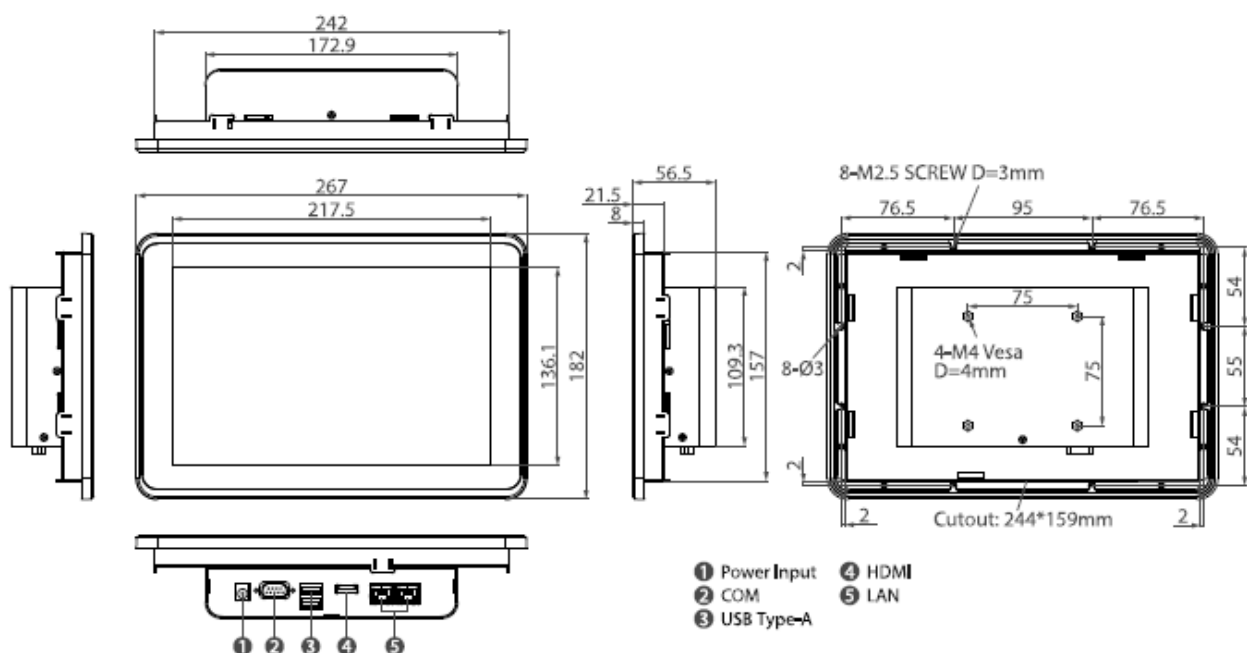
<b>Overview</b>	<p>A 10.1 inch touch panel PC and plasterboard wall box featuring capacitive multi-touch display. The front panel is sealed to IP65 for water and dust protection.</p> <p>Included is a plasterboard wall box suitable for easy installation in plasterboard up to 21 mm thick.</p> <p>This display is available in two versions:</p> <ul style="list-style-type: none"> <li>• With RAPIX Touch software pre-installed: Ready to use out of the box, running RAPIX Touch from the first power-up.</li> <li>• A bare-bones version with Windows 10 IoT (LTSC): Allows installation and configuration of any compatible software.</li> </ul>
-----------------	--

<b>Features</b>	<ul style="list-style-type: none"> <li>• 10.1" display, 1280 x 800 pixels, with capacitive touch.</li> <li>• Fanless cooling.</li> <li>• Wall box suits plasterboard (<b>not suitable</b> for concrete or surface mounting).</li> <li>• Gigabit ethernet.</li> <li>• 350 nits panel brightness.</li> <li>• 267 x 182 x 64 mm (including wallbox).</li> <li>• 9 mm protrusion from wall.</li> <li>• Swing-out wall box arms for clamping into plasterboard.</li> <li>• Cable tie-down points in wallbox.</li> <li>• Mounting slots allow screwing to timber in a cavity wall.</li> <li>• Black bezel.</li> <li>• Kensington lock slot on screen.</li> <li>• VESA mount: 75 x 75 mm</li> </ul>
-----------------	--

<b>Typical Applications</b>	Commercial & Industrial buildings, Education Facilities, Health care facilities, Hotels, Residential buildings.
-----------------------------	---

**Specifications**

Parameter	Specification
Power source	110 – 240 V ac 50/60 Hz ac to dc adapter, 50 W (included)
Power consumption	19 W (typ)
Operating voltage	12 V dc / 2.5 mm $\phi$ jack
I/O Ports	RS-232 (x1) / USB 2 Type A (x1) / USB 3.3 Gen 1x1 Type A (x1) / HDMI 1.4 (x1) / Ethernet RJ45 Gigabit (x2)
Display resolution	1280 x 800 pixels
Contrast ratio	800:1
Viewing angles	85 degrees off axis all directions
Brightness	350 nits
Viewing size	10.1 inches (diagonal measurement)
Processor	Intel Celeron N2930 1.83 GHz
Memory	SO-DIMM, DDR3L 1600 MHz, 4 GB
Storage	mSATA SSD 128 GB
Outside dimensions	267 x 182 x 64 mm (display fitted to wall box) 257 x 161 x 55 mm (wall box)
Wall box type	Metal box
Cutout	259 x 163 mm
Ambient operating temperature	0 to 50° C
Ambient storage temperature	-10 to 60° C
Humidity	10% to 9% RH non-condensing
Ingress protection	IP65 (front face only, when installed)
Weight	Display 1.4 kg / Wall box 0.8 kg
Included software	Windows 10 IoT (LTSC) Some order codes include <i>RAPIX Touch</i> software pre-installed

**Dimensions**




# RAPIX 10.1" LCD Touchscreen With plasterboard wall-mount box

## DATA SHEET

---

### Important Notes

1. The RAPIX 10.1" LCD Touchscreens do not connect directly to a DALI line. When used in a RAPIX DALI system, the touchscreen operates using *RAPIX Touch* software that communicates over Ethernet to a RAPIX Zone Controller (available separately).
2. The RAPIX 10.1" LCD Touchscreen with *RAPIX Touch* pre-installed includes a *RAPIX Touch* licence; and will automatically run *RAPIX Touch* after power up. Configuration of the Zone Controller connection is required.
3. The "bare bones" version may require setup or configuration depending on the software to be installed. Standard Microsoft Windows software installation and configuration procedures apply. The installer is responsible for all aspects of configuration, installation and security.
4. Unit disassembly is required to access the SODIMM and mSATA slots. **Disassembly will void the warranty, please Contact Ozuno if disassembly is contemplated.**

---

### Contact Information

Web                      [www.ozuno.com](http://www.ozuno.com)  
All Enquiries        +61 8 8362 7584        [sales@ozuno.com](mailto:sales@ozuno.com)

### Ozuno Trading Pty Ltd

ABN: 96 621 194 483

This product includes a **TWO-YEAR WARRANTY** against manufacturing defects.

**RAPIX** is a trademark of Ozuno Holdings Pty Ltd.

**COPYRIGHT** © 2025 This document is copyright by Ozuno Holdings Pty Ltd. Except as permitted under relevant law, no part of this data sheet may be reproduced by any process without written permission of and acknowledgement to Ozuno.

**DISCLAIMER.** Ozuno Holdings Pty Ltd (Ozuno) reserves the right to alter the specifications, designs or other features of any items and to discontinue any items at any time without notice and without liability. While every effort is made to ensure that all information in this Data Sheet is correct, no warranty of accuracy is given and Ozuno shall not be liable for any error.

**TRADEMARKS.** The identified trademarks and copyrights are the property of Ozuno Holdings Pty Ltd unless otherwise noted.

13-24-004-001-01 August 2025