


**Black Switch Cap
Coloured Bezels**
Large Dials
**Black Small Dial
Coloured Dial Rings**

Order Codes		
	Black Push Button Dolly – Classic Style	DGOZ-DSW30ACC-PBB
	Green Push Button Bezel	DGOZ-DSW30ACC-GB
	Orange Push Button Bezel	DGOZ-DSW30ACC-OB
	Blue Push Button Bezel	DGOZ-DSW30ACC-BB
	Large White Dial with Clear Ring	DGOZ-DSW30ACC-LDW
	Large Black Dial with Clear Ring	DGOZ-DSW30ACC-LDB
	Large Green Rotary Grip Ring	DGOZ-DSW30ACC-GRL
	Large Orange Rotary Grip Ring	DGOZ-DSW30ACC-ORL
	Large Blue Rotary Grip Ring	DGOZ-DSW30ACC-BRL
	Small Black Dial with Clear Ring	DGOZ-DSW30ACC-SDB
	Small Green Rotary Grip Ring	DGOZ-DSW30ACC-GRS
	Small Orange Rotary Grip Ring	DGOZ-DSW30ACC-ORS
	Small Blue Rotary Grip Ring	DGOZ-DSW30ACC-BRS

Overview	<p>Accessories for the DGOZ-DSW30M and DGOZ-DSW20S ranges of Modular DALI switches.</p> <p>Accessories allow:</p> <ul style="list-style-type: none"> - changing grip ring colours for rotary dials; - changing indication colours for push buttons; - large rotary dials in black and white; - black switch dolly for push button switches (Classic Style); - small black dial.
-----------------	--

Features	Easy switch out / exchange of the standard white / clear / small dial options, allowing use of colour options if desired.
-----------------	---

Typical Applications	Commercial & Industrial buildings, Education Facilities, Aged care facilities, Hotels, Residential buildings.
-----------------------------	---

Installation*Black push button switch dolly*

The existing white dolly folds up and can be lifted out. Reverse the procedure to insert the black accessory.

Black and Large dials

Simply pull off the existing dial and push on the replacement dial.

Push button switch bezels

A bezel removal tool can be supplied supporting quick and easy changeover of the bezel:



Use the Bezel and Dial Remove Tool to engage with the slot on the side of the push button housing, as shown above.



Push the tool into the slot until the clear bezel around the button releases from the housing. Repeat the process on the other side of the housing.



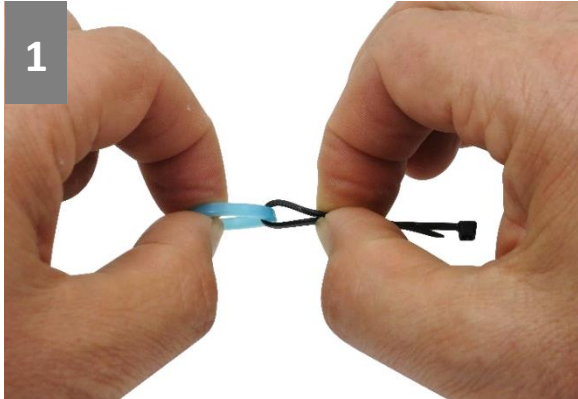
Lifted the clear bezel to remove from the housing.



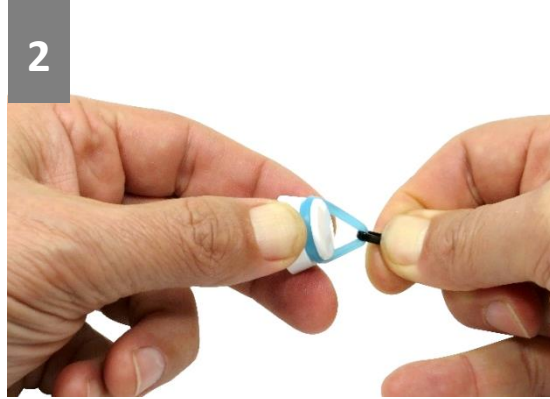
Place the coloured bezel into the housing, ensuring the four bezel legs line up with the retaining holes in the housing. Push the bezel until it clicks into place.

Installation (contd)*Dial Rings*

Carefully remove the existing dial ring. To fit a replacement:

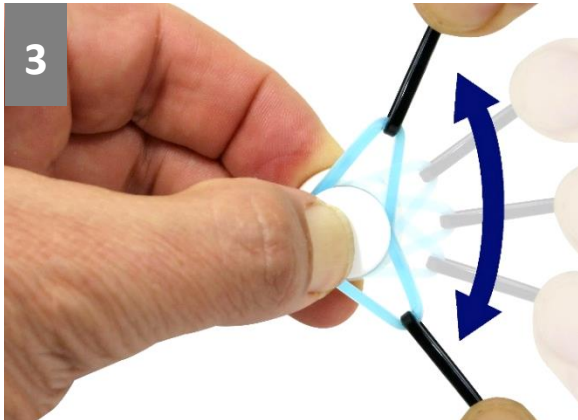
**1**

Loop a cable tie through the coloured Dial Ring and firmly hold the cable tie between thumb and forefinger.

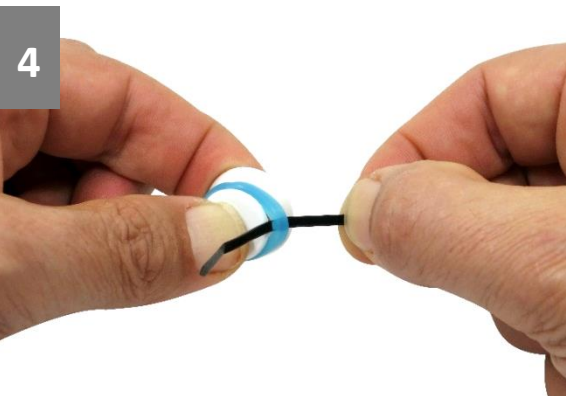
**2**

Loop the Dial Ring over the Dial and push it into the groove on one side.

NOTE: the Dial Ring has a bevelled edge and the smaller diameter should face towards the top of the Dial.

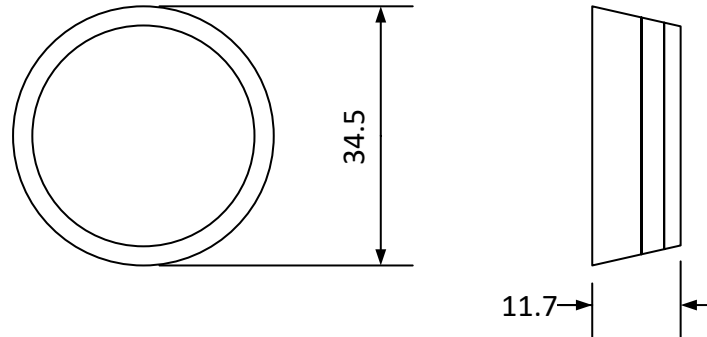
**3**

Using the cable tie, stretch the Dial Ring and rotate it 90 degrees through the groove a few times to ensure it is fully engaged in the groove.

**4**

Release and remove the cable tie.

Run a thumb around the face of the Dial Ring so that it sits properly in the groove

Dimensions for Large Dials**Contact Information**

Web www.ozuno.com
All Enquiries +61 8 8362 7584 sales@ozuno.com

Ozuno Trading Pty Ltd

ABN: 96 621 194 483

This product includes a **TWO-YEAR WARRANTY** against manufacturing defects.

RAPIX is a trademark of Ozuno Holdings Pty Ltd.

DALI is a trademark of the Digital Illumination Interface Alliance.

COPYRIGHT © 2022-2024 This document is copyright by Ozuno Holdings Pty Ltd. Except as permitted under relevant law, no part of this data sheet may be reproduced by any process without written permission of and acknowledgement to Ozuno.

DISCLAIMER. Ozuno Holdings Pty Ltd (Ozuno) reserves the right to alter the specifications, designs or other features of any items and to discontinue any items at any time without notice and without liability. While every effort is made to ensure that all information in this Data Sheet is correct, no warranty of accuracy is given and Ozuno shall not be liable for any error.

TRADEMARKS. The identified trademarks and copyrights are the property of Ozuno Holdings Pty Ltd unless otherwise noted.

13-20-506-002-02 December 2024