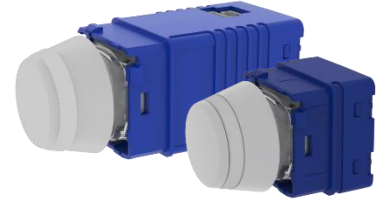



**Classic Push Button Master & Slave**

 DGOZ-DSW30M-PC &  
DGOZ-DSW30S-PC

**Diva Push Button Master & Slave**

 DGOZ-DSW30M-PD &  
DGOZ-DSW30S-PD

**Rotary Master & Slave**

 DGOZ-DSW30M-RT &  
DGOZ-DSW30S-RT

**Order Codes**

Classic Push:	DGOZ-DSW30M-PC (Master)	DGOZ-DSW30S-PC (Slave)
Diva Push:	DGOZ-DSW30M-PD (Master)	DGOZ-DSW30S-PD (Slave)
Rotary:	DGOZ-DSW30M-RT (Master)	DGOZ-DSW30S-RT (Slave)

**Overview**

Modular DALI-2 switches, suitable for use in the RAPIX Lighting Control System or with other DALI-2 compliant Application Controllers.

Master switches work with DALI-2 Application Controllers and expose 4 instances. For the added resilience of RAPIX, Master switches can also act as RAPIX DALI-2 Application Controllers and can perform switching, dimming, timing, group control, scene control and similar functions.

**Features**

- Master RAPIX modular switches connect directly to the DALI Line.
- Slave RAPIX modular switches connect to a Master and are powered from the Master.
- DALI-2 Certified, multi-master.
- Software configurable white LED, with coloured bezels in Orange, Blue, and Green available.
- Fits common wall switch apertures.
- Master and Slave switches are available in three styles.
- The internal Application Controller is optional, and if used:
  - Supports small systems, RAPIX Zero-Commissioning, and additional resilience when used in a RAPIX Lighting Control System;
  - Actions available include Toggle on / off, Fade lights up or down, Start or cancel a timer, Recall a fixed level, Toggle between off and the current level, Issue a scene, and many more.
  - Powerful enable/disable rules;
  - Support for multiple Zones - being collections of DALI Groups and/or DALI Short Addresses;
  - Supports DALI and RAPIX Scenes.

**Typical Applications**

Commercial & Industrial buildings, Education Facilities, Health care facilities, Hotels, Residential buildings.

### DALI System Commissioning

This product is set up using any DALI-2 commissioning software that supports DALI-2 Control Device instance types 1 and 2. For the higher resilience of RAPIX and to use the built-in Application Controller, the free *RAPIX Addressing* or *RAPIX Integrator* software should be used.

### DALI-2 Instances

This product has 4 instances:

Instance 0	Type 1 Push Button – Master
Instance 1	Type 1 Push Button – Slave
Instance 2	Type 2 Absolute, resolution 8 bits – Master Rotary
Instance 3	Type 2 Absolute, resolution 8 bits – Slave Rotary

All instances are always present. On Push Button products, instances 2 and 3 have no effect.

If a slave is not connected to the master, then instances 1 and 3 have no effect.

This product range also supports DALI-2 Feature Type 332 for indicator control on the master and slave switches. This feature type applies to the Push Button Instances 0 and 1 only.

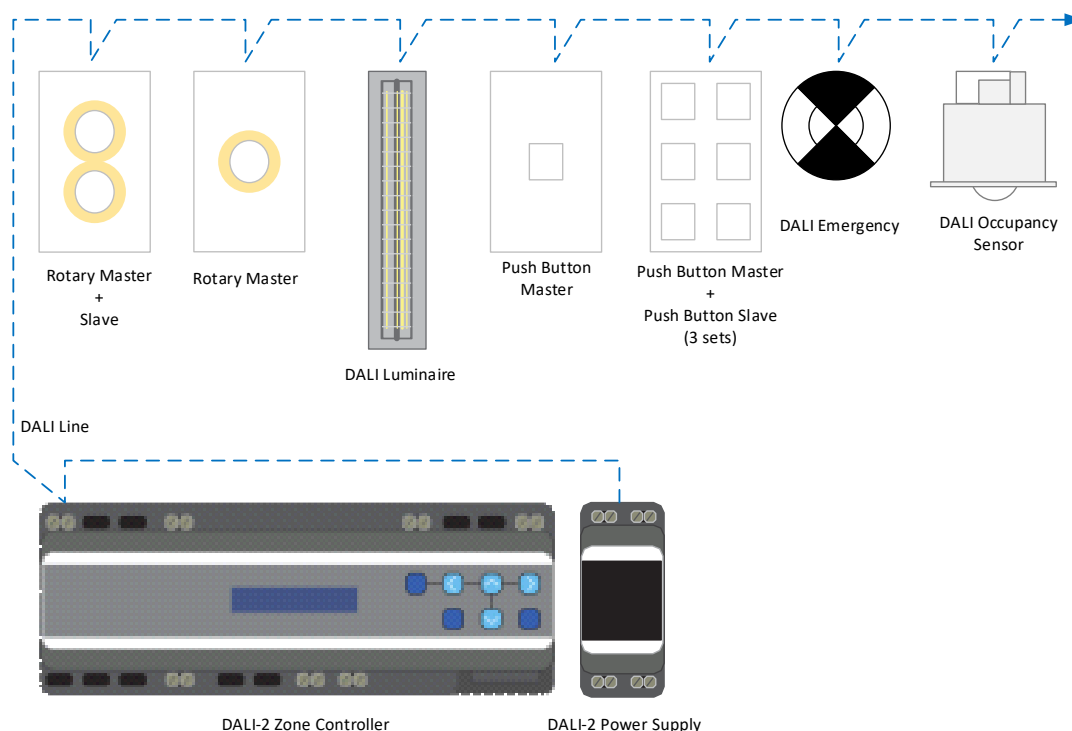
### RAPIX Zero-Commissioning: Out-of-box Functions

This product supports RAPIX Zero-Commissioning out-of-box functions:

- Push / release to transmit Broadcast ON/OFF, Push and hold to DIM UP/DOWN & Release to terminate the dimming.
- On Rotaries: Rotate the dial to DIM UP/DOWN.

### Connecting to the DALI Line

Masters are supplied with a DALI connection lead that is used to connect directly to the DALI Line.



**Connecting Master to Slave**







Slave RAPIX modular switches connect directly to Masters.

Slaves have an integrated flying lead with a male connector. Masters have matching female sockets.

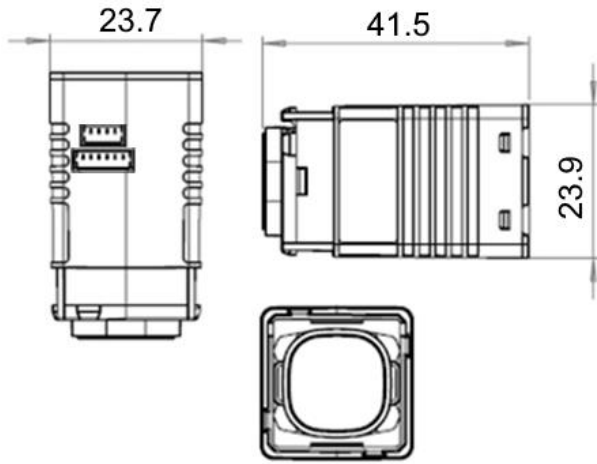
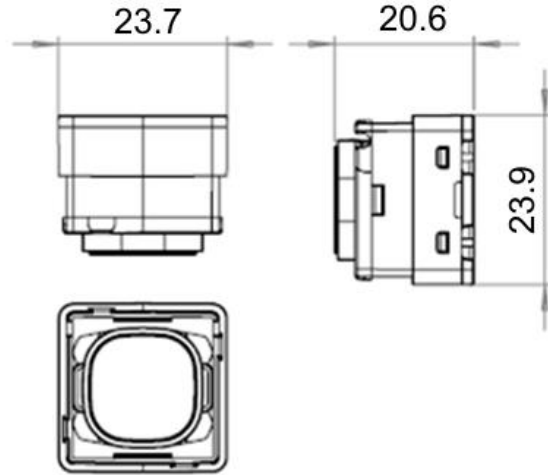
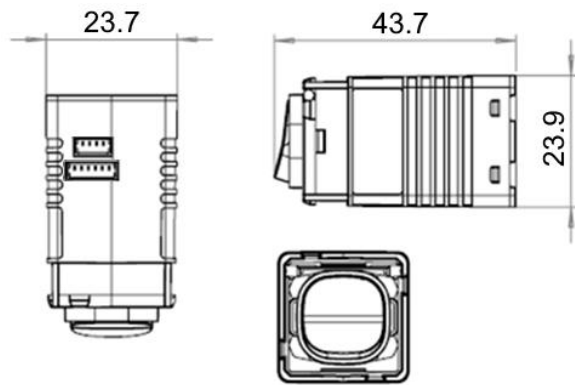
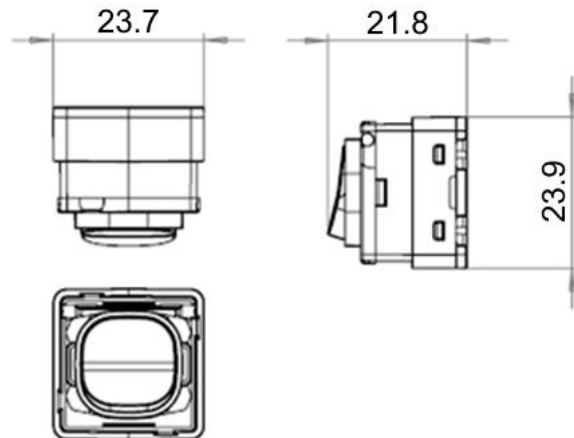
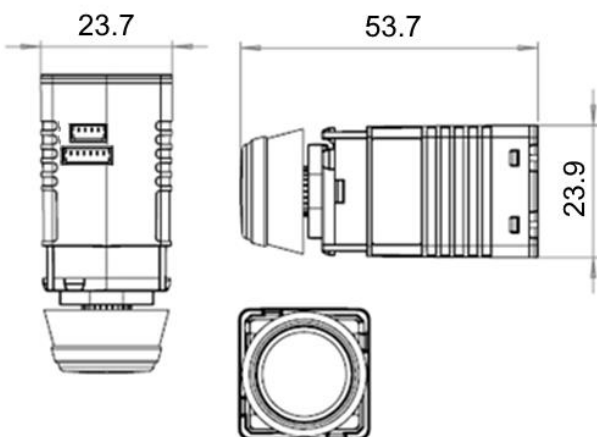
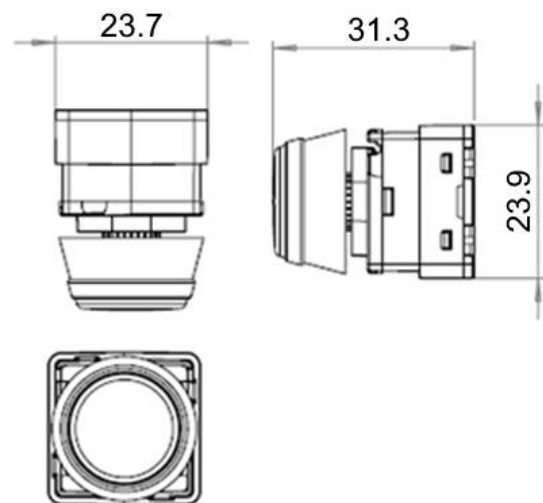


Connection between a Master and Slave RAPIX modular switch

**Specifications**

Parameter	Specification		
Power source	DALI line		
Compatibility	DALI and DALI-2		
DALI operating voltage	16 V dc (nominal), operation from 9.5V – 22.5 V		
DALI Line Current Draw	4 mA		
Start-up time	< 1.2 seconds		
Mains tolerance	The DALI connection of Master switches is mains voltage tolerant		
Connection type	Master switch: connector with flying leads terminated in ferrule		
Wire length supplied	Master: 120 mm for connection to DALI Slave: 120 mm for connection to a Master		
Indicators	White LED indicator, configured using DALI-2 feature commands or RAPIX commissioning software.		
Number of Slaves which can be connected to a Master	<b>Master Switch Type</b>	<b>Slave (any type)</b>	
	Classic Push Button	1	
	Diva Push Button	1	
	Rotary	1	
Ambient operating temperature	0 to 50° C		
Ambient storage temperature	-10 to 70° C		
Humidity	0% to 95% RH non-condensing		
Ingress protection	IP20		
Materials	Enclosure, buttons and dials: Flame retardant Polycarbonate, UL 94V-0		
Weight	<b>Switch Type</b>	<b>Master</b>	<b>Slave</b>
	Push Button	65 g	11 g
	Rocker	65 g	11 g
	Rotary	75 g	24 g
DALI addresses used	One DALI-2 Control Device Short Address, no Control Gear Short Addresses		
DALI addressing types supported	Short Addresses, Group Addresses, Scenes, Broadcast		
RAPIX Application Controller DALI addressing types supported	Control Gear Short Addresses, Group Addresses, Scenes, Broadcast		
Additional Addressing Types*	RAPIX Zones, RAPIX Flags, RAPIX Operating Properties		
Approvals	     		

\* RAPIX features and additional addressing types work with other RAPIX products.

**Dimensions**
**Classic Push Button - Master**

**Classic Push Button - Slave**

**Diva Push Button - Master**

**Diva Push Button - Slave**

**Rotary Master**

**Rotary Slave**


**Standards & Compliance*****EMC and Electrical Safety Frameworks and Standards***

AS/NZS CISPR22

EN 61347-1, AS/NZS 61347.1

EN 61347-2-11, AS/NZS 61347.2.11

***DALI Standards and Compliance***

IEC 62386-101 Ed 2

IEC 62386-103 Ed 2 (DALI-2 Control Devices)

IEC 62386-301, -302 and -332. (DALI-2 Instance Types Push Button, Absolute and Feedback Feature Type)

***EC Council Directives***

2014/35/EU Low Voltage

2014/30/EU Electromagnetic Compatibility (EMC)

2015/863 Restriction of Hazardous Substances (RoHS) in Electrical and Electronic Equipment

---

**Contact Information**Web [www.ozuno.com](http://www.ozuno.com)All Enquiries +61 8 8362 7584 [sales@ozuno.com](mailto:sales@ozuno.com)**Ozuno Trading Pty Ltd**

ABN: 96 621 194 483

This product includes a **TWO-YEAR WARRANTY** against manufacturing defects.

**RAPIX** is a trademark of Ozuno Holdings Pty Ltd.

**DALI** and **DALI-2** are trademarks of the Digital Illumination Interface Alliance.

**COPYRIGHT** © 2022-2023 This document is copyright by Ozuno Holdings Pty Ltd. Except as permitted under relevant law, no part of this data sheet may be reproduced by any process without written permission of and acknowledgement to Ozuno.

**DISCLAIMER.** Ozuno Holdings Pty Ltd (Ozuno) reserves the right to alter the specifications, designs or other features of any items and to discontinue any items at any time without notice and without liability. While every effort is made to ensure that all information in this Data Sheet is correct, no warranty of accuracy is given and Ozuno shall not be liable for any error.

**TRADEMARKS.** The identified trademarks and copyrights are the property of Ozuno Holdings Pty Ltd unless otherwise noted.

13-20-506-001-05 December 2024