

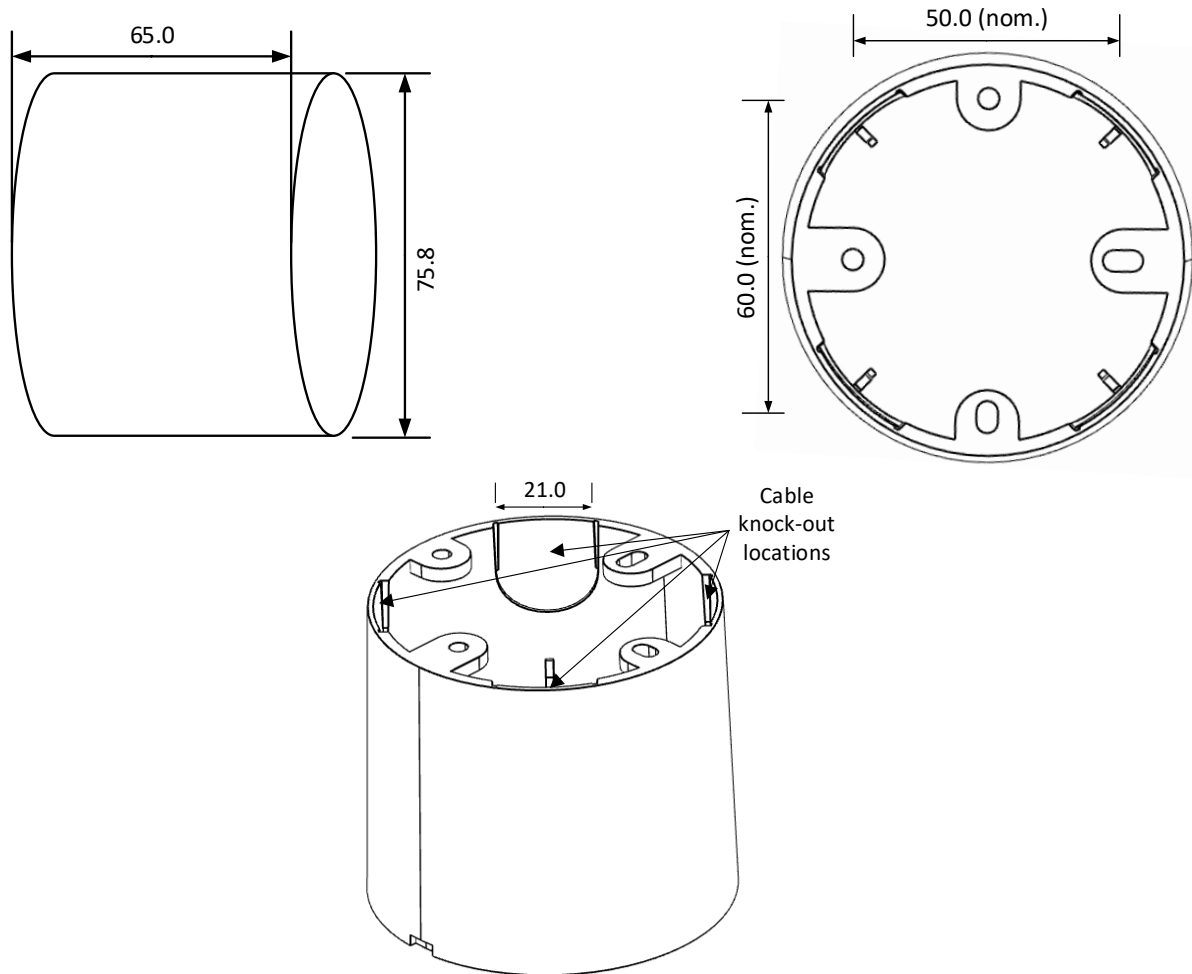


Order Code	White: DGOZ-SEN-SMH Black: DGOZ-SEN-SMH-BK
Overview	Adaptor to allow surface mounting of RAPIX DALI-2 Occupancy Sensors: DGOZ-SEN-PRSW DGOZ-SEN-PRLLSW DGOZ-SEN-PRLLSW-BK DGOZ-LRS-PRLLSW
Features	Available in white and black versions. Suitable for mounting over a conduit box, or directly to a surface. 4 x conduit entry knock-outs to suit conduit up to 21 mm diameter. Elongated mounting holes to accommodate distortion in mounting boxes / screw location.
Typical Applications	Sensors mounted to conduit boxes or similar, especially concrete surfaces or where a hole saw cannot easily be used: Pre-cast or poured concrete, limited access space, car parks, galleries, education facilities and similar.

Specifications

Parameter	Specification
Materials	UV stabilised Polycarbonate
Weight	42 g
Mounting Centres	Screw, 50 mm and 60 mm spacings
Approvals	 

Dimensions, Mounting Points and Cable Knock-outs:



Contact Information

Web www.ozuno.com
 All Enquiries +61 8 8362 7584 sales@ozuno.com

Ozuno Trading Pty Ltd

ABN: 96 621 194 483
 4/115 Payneham Rd
 St Peters SA 5069
 Australia

This product includes a **TWO-YEAR WARRANTY** against manufacturing defects.

RAPIX is a trademark of Ozuno Holdings Pty Ltd.

DALI and **DALI-2** are trademarks of the Digital Illumination Interface Alliance.

COPYRIGHT © 2020-2023 This document is copyright by Ozuno Holdings Pty Ltd. Except as permitted under relevant law, no part of this data sheet may be reproduced by any process without written permission of and acknowledgement to Ozuno.

DISCLAIMER. Ozuno Holdings Pty Ltd (Ozuno) reserves the right to alter the specifications, designs or other features of any items and to discontinue any items at any time without notice and without liability. While every effort is made to ensure that all information in this Data Sheet is correct, no warranty of accuracy is given and Ozuno shall not be liable for any error.

TRADEMARKS. The identified trademarks and copyrights are the property of Ozuno Holdings Pty Ltd unless otherwise noted.

13-18-509-005-02 October 2023