

Order Code White: DGOZ-SEN-SMH
 Black: DGOZ-SEN-SMH-BK

Overview Adaptor to allow Rapix Xi Sensor or Rapix Xi Long Range Sensor to be surface mounted.

Features

- Available in either white or black variants.
- Suitable for mounting over a conduit box, or directly to a surface.
- 4 x conduit entry knock-outs to suit conduit up to 21 mm diameter.
- Elongated mounting holes to accommodate distortion in mounting boxes / screw location.

Typical Applications Sensors mounted to conduit boxes or similar, especially concrete surfaces or where a hole saw cannot easily be used: Pre-cast or poured concrete, limited access space, car parks, galleries, education facilities and similar.

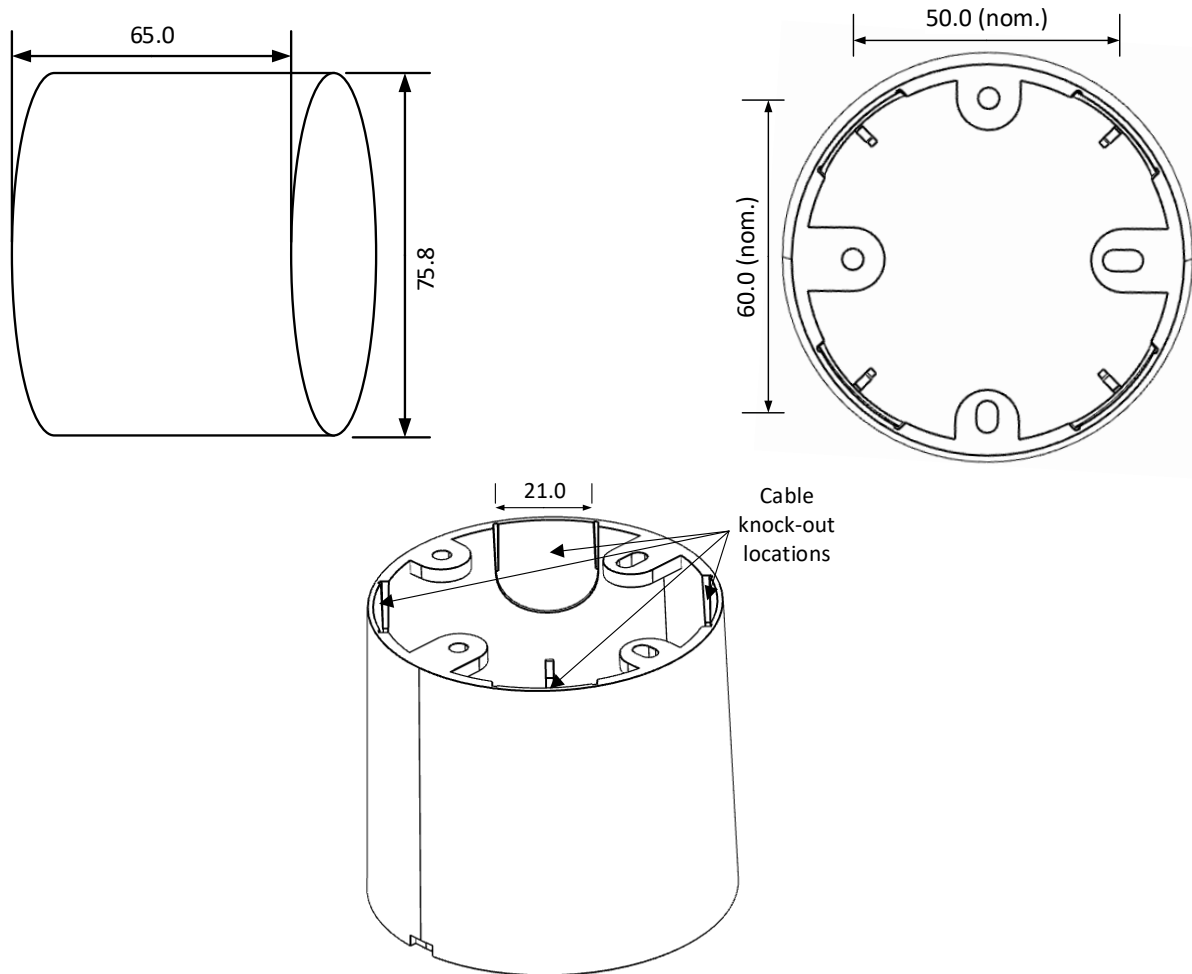
Specifications: Surface Mount Adaptor

Parameter	Specification
Materials	UV stabilised flame-retardant polycarbonate, UL 94V-0
Weight	42 g
Mounting Centres	Screw, 50 mm and 60 mm spacings

Standards & Compliance



Dimensions, Mounting Points and Cable Knock-outs:



Contact Information

Web www.ozuno.com
All Enquiries +61 8 8362 7584 sales@ozuno.com

Ozuno Trading Pty Ltd

ABN: 96 621 194 483
4/115 Payneham Rd
St Peters SA 5069
Australia

This product includes a **TWO-YEAR WARRANTY** against manufacturing defects.

RAPIX is a trademark of Ozuno Holdings Limited.

COPYRIGHT © 2020 This document is copyright by Ozuno Holdings Limited. Except as permitted under relevant law, no part of this data sheet may be reproduced by any process without written permission of and acknowledgement to Ozuno.

DISCLAIMER. Ozuno Holdings Limited (Ozuno) reserves the right to alter the specifications, designs or other features of any items and to discontinue any items at any time without notice and without liability. While every effort is made to ensure that all information in this Data Sheet is correct, no warranty of accuracy is given and Ozuno shall not be liable for any error.

TRADEMARKS. The identified trademarks and copyrights are the property of Ozuno Holdings Limited unless otherwise noted.

13-18-509-002-01 October 2020