



Order Codes	OZLCECM03CD1L2 – 2.5W output, 3.2V Li-ion battery
	OZLCECM05CD2L2 – 5W output, 6.4V Li-ion battery

Overview Ozuno DALI Emergency Luminaire Conversion Modules are used to convert standard LED luminaires into maintained DALI Emergency luminaires. The conversion module is installed by using it with a conventional LED driver and luminaire. The conversion module is connected:

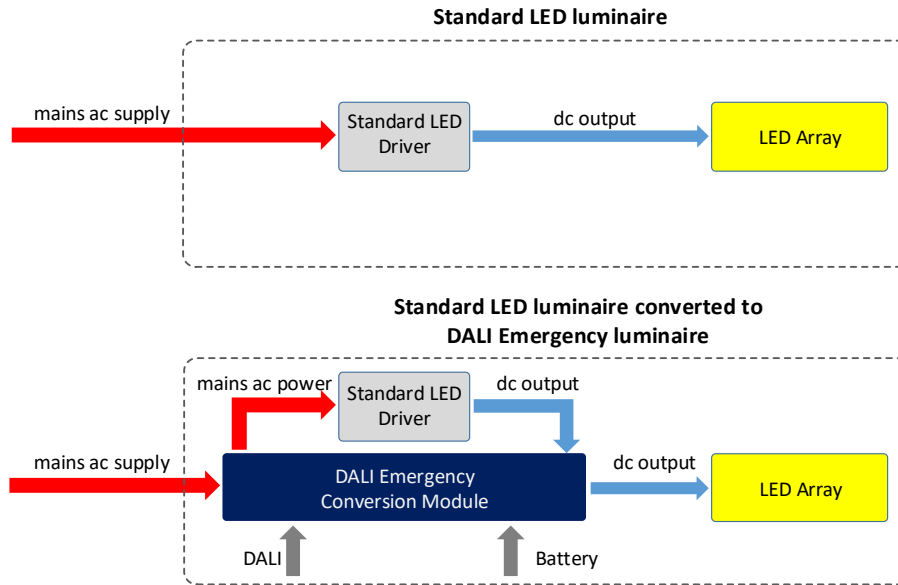
- Between the mains power source and the mains power input of the conventional driver; and
- Between the lamp and the output of the conventional driver.

Conversion modules allow the LEDs to be operated normally when mains power is available. When mains power fails the LED luminaire is operated at a reduced light output, powered from a battery connected to the conversion module.

- Features**
- Automatic adjustment of LED output current to provide the best match between the battery and the load, providing maximum illumination whilst ensuring full battery duration.
 - Operates as a stand-alone self-test unit when not connected to DALI.
 - Able to be mounted inside a luminaire, in a control gear housing, or can be used as a stand-alone emergency driver connected to a remote emergency LED light.
 - Incorporates RAPIX Xi Extended Intelligence to provide additional features, functionality and information when connected to a RAPIX Emergency monitoring system.
 - A range of models are available to suit differing requirements based on:
 - Lamp power in Emergency Mode
 - Battery type:
 - Li-ion (LiFePO₄) standard
 - NiCd or NiMH by request
 - Lamp running duration
 - Can be used as a stand-alone Non-Maintained Emergency LED Driver.
 - Cable strain relief for Mains and DALI wiring.
 - Complies with DALI standards IEC 62386-101, IEC 62386-102 and IEC 62386-202.

Typical Applications Commercial Buildings, Hotels, Health Care facilities, Education facilities, Museums, Art Galleries, Shopping Centres, etc.

Wiring Concept



LED Configuration

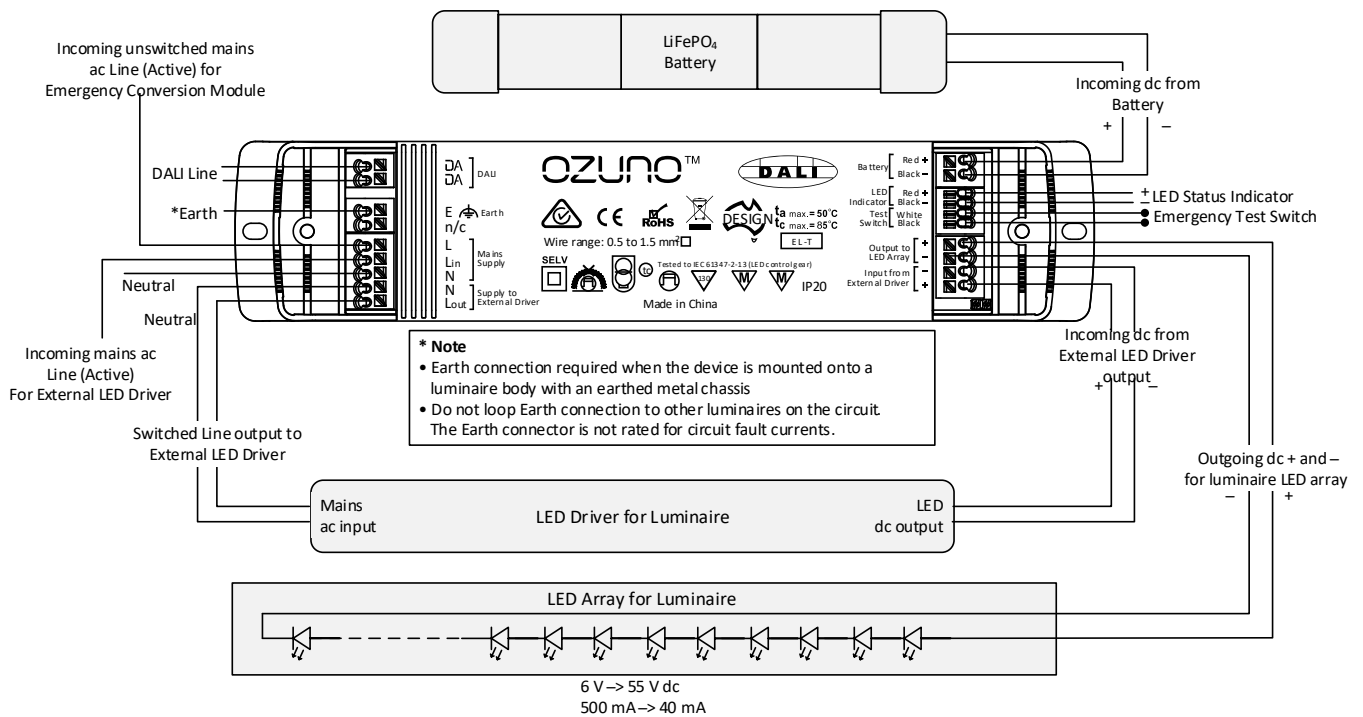
Emergency conversion modules are suitable for converting a wide range of standard LED luminaires into maintained DALI Emergency luminaires, removing the need to use a separate emergency lighting LED array in the luminaire.

When mains power is not present, the conversion modules use the battery to drive the LED array in the luminaire with a reduced light output.

The nominal dc current available to drive the LED array in emergency mode at typical output voltages is shown below:

LED String Voltage	Output Current						
	6 V	9 V	12 V	24 V	36 V	48 V	55V (max)
OZLCECM03CD1L2	350 mA	260 mA	200 mA	100 mA	65 mA	50 mA	45 mA
OZLCECM05CD2L2	-	500 mA	420 mA	210 mA	140 mA	105 mA	90 mA

Connections



Status Indicator

The operational status and / or the result of the last test is displayed using the bi-coloured LED Status Indicator supplied with each device. Indicator meaning is:

Indicator Colour	Outcome	Meaning
Green Solid	Device OK	All OK, ac power is present, Battery is connected & charging
Green fast flash (0.1 s on, 0.1 s off)	Function Test in Progress	Ac power is present, functional test in progress
Green slow flash (1 s on, 1 s off)	Duration Test in Progress	Ac power is present, discharge test in progress
Green very slow flash (4 s on, 1 s off)	Automatic Duration Test Passed	Ac power is present, Automatic discharge test has completed within the last 7 days and was OK
Red Solid	Emergency LED Fault	Emergency LED is open circuit, short circuit or has otherwise failed in some way. Fault can indicate the live status or the result of a test
Red fast flash (0.1 s on, 0.1 s off)	LED Driver Fault	Unit unable to deliver current to Emergency LED. Fault can indicate the live status or the result of a test
Red slow flash (1 s on, 1 s off)	Battery Fault	Battery failure (Battery failed the duration or functional test, battery appears to be defective, battery has incorrect voltage). Fault can indicate the live status or the result of a test
Red/green alternating	Red/green alternating	The unit is in Unit Identification Mode; or The unit is in RAPIX Identification Mode
Red & Green off	Red & Green off	Ac power is lost, unit is in Emergency Mode

Specifications

Parameter	OZLCECM03CD1L2	OZLCECM05CD2L2
Input Voltage / Frequency	220-240 V ac / 50-60 Hz	
Input Current	12 mA @ 240 V (Idle) 30 mA @ 240 V (Fast charging)	12 mA @ 240 V (Idle) 40 mA @ 240 V (Fast charging)
Input Power Factor (typ)	0.54	0.58
Input Power (max)	3.4 W	4.8 W
Nominal Output Voltage	6-55 V dc (Vo/c(max) = 60 V)	9-55 V dc (Vo/c(max) = 60 V)
Nominal Output Current	350 - 45 mA	500 – 90 mA
Typical Load Power	2.4 W	5 W
Battery Type (not included)*	3.2 V LiFePO ₄ (1-cell)	6.4 V LiFePO ₄ (2-cell)
Battery Cell Capacity	1500 mAh to 6400 mAh	
Battery Charge Current	300 mA (max)	
DALI Line Current Draw	≤ 2 mA	
DALI Dimming	NOT DIMMABLE on Mains ac or Emergency	
Operational Modes	Non Maintained (DALI Type D)	
Isolation	≥ 3.75 kV ac Line to SELV terminals ≥ 1.5 kV ac Line to DALI terminals	
Load Protection	Open Circuit / Short Circuit / Over Voltage / Thermal	
Short Circuit	Auto Recover	
System Rated Life	100,000 Hours	
Ambient operating temperature	0 to 50°C	
Ambient storage temperature	-10 to 70°C	
Case Temperature (max)	85°C (@ TA = 50°C)	
Humidity	0% to 95% RH non-condensing	
Ingress protection	IP20	
DALI Line, Mains ac Supply, External Driver Emergency LED and External Driver LED terminals	1 x 1.5 mm ² solid/stranded per tunnel	
Test Switch and Indicator terminals	1 x 0.5 mm ² solid/stranded per tunnel	
Materials	Enclosure – Flame retardant Polycarbonate	
Weight	130 g	
Rated Duration	120 / 90 minute (Australian compliant to AS 2293) 1 / 2 / 3 / 4 hour available upon request	

* NiCd and NiMH battery support available upon request



Special Notes

Do not cover the driver.

Maintain a clearance of at least 25 mm from insulation or combustible material.

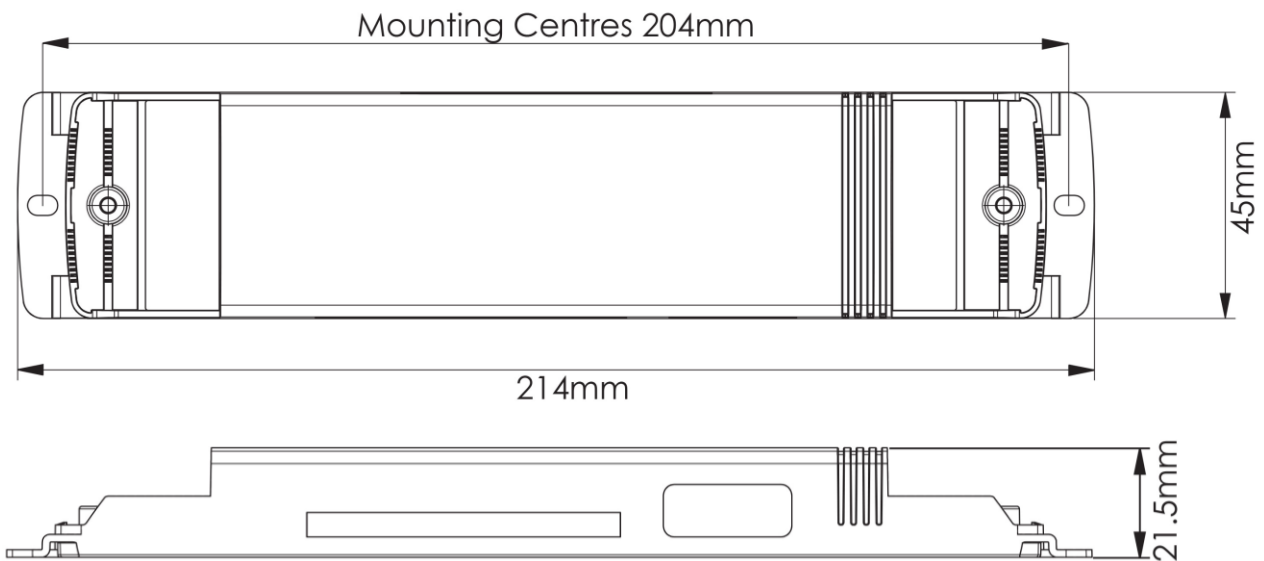
Do not exceed the maximum recommended ambient operating temperature and maximum recommended case temperature.

Accessories

Part Number	Description	
OZEALDGRH2W	Bi-colour 5mm green/red status indicator with 300 mm leads. High Brightness.	
OZEALDGRS2W	Bi-colour 5mm green/red status indicator with 300 mm leads.	
OZEATS702W	Test switch with 300 mm leads. 7mm panel mount.	

Accessories are purchased separately.

Dimensions



Standards & Compliance

IEC/EN 55015, AS/NZS CISPR 15, AS CISPR 15
IEC 61547, 61000-3-2, 61000-3-3
IEC 61347-1, AS/NZS 61347.1
IEC 61347-2-7, AS/NZS 61347.2.7
IEC 61347-2-13, AS/NZS 61347.2.13

DALI Standards and Compliance

IEC 62386-101
IEC 62386-102
IEC 62386-202

EC Council Directives

2006/95/EC Low Voltage
2004/108/EC Electromagnetic Compatibility (EMC)
2015/863 Restriction of Hazardous Substances (RoHS) in Electrical and Electronic Equipment



IP20



Contact Information

Web www.ozuno.com
All Enquiries +61 8 8362 7584 sales@ozuno.com

Ozuno Trading Pty Ltd

ABN: 96 621 194 483
4/115 Payneham Rd
St Peters SA 5069
Australia

This product includes a **FIVE-YEAR WARRANTY** against manufacturing defects.

COPYRIGHT © 2020 This document is copyright by Ozuno Holdings Limited. Except as permitted under relevant law, no part of this data sheet may be reproduced by any process without written permission of and acknowledgement to Ozuno.

DISCLAIMER. Ozuno Holdings Limited (Ozuno) reserves the right to alter the specifications, designs or other features of any items and to discontinue any items at any time without notice and without liability. While every effort is made to ensure that all information in this Data Sheet is correct, no warranty of accuracy is given and Ozuno shall not be liable for any error.

TRADEMARKS. The identified trademarks and copyrights are the property of Ozuno Holdings Limited unless otherwise noted.

13-18-507-101-02 August 2020