



<b>Order Codes</b>	21 V & 30 V Family:	OZLC500C18AD; OZLC650C18AD; OZLC850C23AD
	36 V Family:	OZDC36C250AD; OZDC36C350AD; OZDC36C500AD

**Overview**

A premium range of Constant Current 0-10 V dimmable LED drivers, with dimming range 0.5% to 100%.

Drivers include a mains power connection and a 0 – 10 V connection to allow control of the connected LED light source.

Drivers can be mounted inside a luminaire, a control gear housing, or be used as a separate driver for connection to a LED light engine.

LED voltage and maximum current are shown in the Model Specifications table. Some models also support 24 V Constant Voltage lamps, such as LED strip.

- Features**
- Fully compatible with 0 – 10 V and 1 – 10 V dc lighting control systems.
  - 0 – 10 V input with dimming range from below 0.5% to 100%.
  - Internal dimming curve to approximate linear perceived brightness.
  - Support for both dc voltage control (default) and PWM control.
  - Sources 0.1mA on the 0 – 10 V terminals for compatibility with rotary potentiometer control and other current-sinking controls.
  - LED output connection protected against open circuit and short circuit
  - Automatically recovers from dc output open circuit and short circuit conditions.
  - Active thermal wind-back when used with compatible LED lamps, to protect against LED damage due to overheating.
  - Compatible with all current-regulated LED lamp types that match the dc current and voltage operating specifications - including Sunset Dim lamps and Constant Colour lamps.
  - High Power Factor ( $\geq 0.98$ ).
  - Pre-terminated dc lead for quick installation to compatible lamps.
  - Cable strain relief for Mains connection, 0-10V input connection and dc lead.

**Typical Applications** Commercial Buildings, Hotels, Health Care facilities, Education facilities, Museums, Art Galleries, Shopping Centres, etc.

**Driver Connections: -X2 cable configuration (standard configuration)**

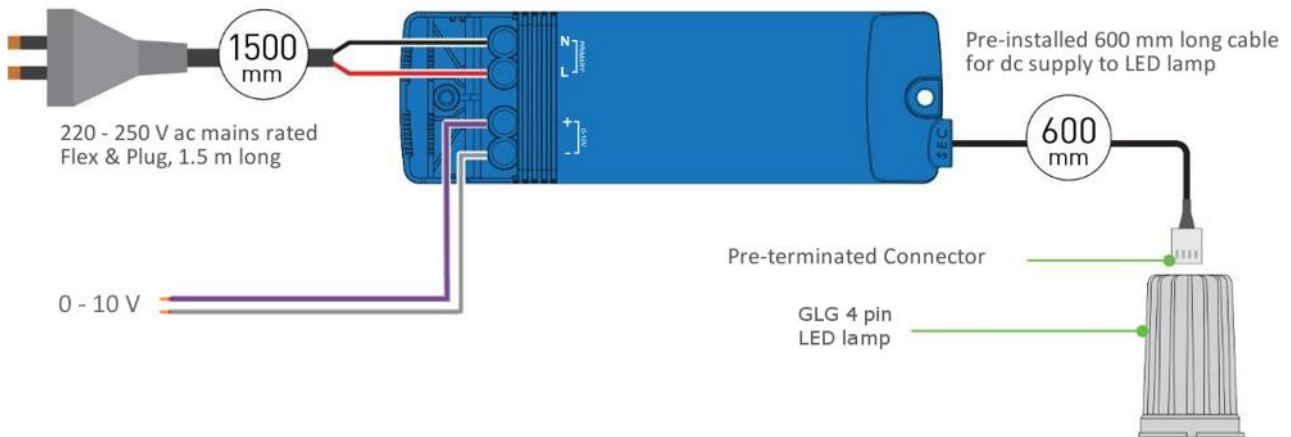
**Driver Connection to 2-pin Lamp**



**Driver Connections: -A4 cable configuration**

*Australian 1.5 m flex & plug and 600 mm 3-core 4-way plug configuration.*

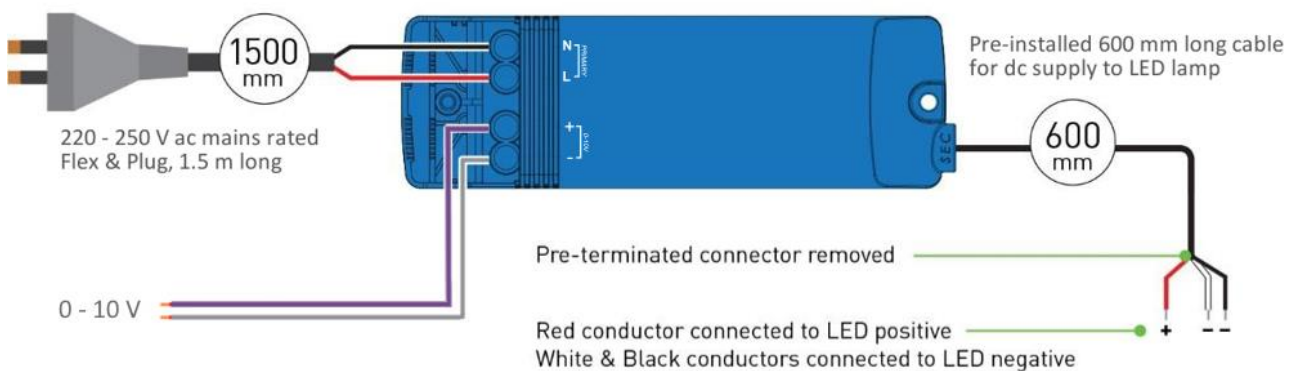
**Driver Connection to 4-pin Lamp**



**Driver Connections: -A4 cable configuration**

*Australian 1.5 m flex & plug and 600 mm 3-core 4-way plug configuration.*

**Driver Connection to 3<sup>rd</sup> party lamp**



**General Specifications**

Parameter	Specification
Input Voltage / Frequency	220 – 250 V ac / 50 - 60 Hz Contact Ozuno for 120 V ac / 60 Hz versions and order codes
Line Voltage Regulation	100%
Maximum Turn-on Delay	300 ms
Short Circuit Load	Auto-recover
Dimming Range	0.5% - 100%
Analogue Terminals	Current source: 0.1 mA Connection to 0-10 V voltage source PWM compatible by user jumper selection Mains voltage tolerant
Mains Connection Cable	Order Code Suffix <b>-xn</b> : -An: 1.5 m long. pre-terminated with Australian/NZ 240Vac 10A mains plug -Fn: 1.5 m long mains flex, terminated with crimps only -Xn: no mains connection cable pre-fitted Contact Ozuno for alternative mains cable termination
DC Output Cable	Order Code Suffix <b>-xn</b> : -x2: 600 mm long, pre-terminated 2-core cable, 2-way polarised connector -x4: 600mm long, pre-terminated 3-core cable, 4-way polarised connector Contact Ozuno for alternative lamp cable termination
Standard Order Code	OZLCnnnCnnAD-X2 OZDC36CnnAD-X2 No mains cable. 600 mm long, pre-terminated 2-core cable with 2-way polarised lamp connector
Mains Terminals	2 x 2.5 mm <sup>2</sup> maximum per terminal or 3 x 1.5 mm <sup>2</sup> maximum per terminal
0-10V control input Terminals	2 x 2.5 mm <sup>2</sup> maximum per terminal or 3 x 1.5 mm <sup>2</sup> maximum per terminal
Fixing	1 x 4 mm diameter fixing hole
Weight	Product: 2500 g. Boxed Product: 300 g <i>-X2 cable configuration</i>
Box / Packaging Dimensions	172 x 90 x 50 mm
System Rated Life (Driver)	50 000 Hours
Ambient Operating Temp. Range	0 - 50° C
Maximum Case Temperature t <sub>c</sub>	85° C (@ Ta = 50° C)
Operating Humidity Range	0% to 95% RH non-condensing
Housing Material Type	Flame retardant polycarbonate, UL 94V-0
IP Rating	IP20

**Analogue Input**

The analogue (0-10V) connection tolerates accidental mains voltage connection. It supports:

- dc connection to a 0-10 V voltage source (for example, 0-10V output control system); or
- dc connection to a 100KΩ potentiometer<sup>1</sup>; or
- PWM style 0-10 V systems (by moving a selection jumper).

<sup>1</sup> If multiple drivers are used, divide the potentiometer value by the number of drivers. For example, 10 drivers with 0-10V connections wired in parallel would require a potentiometer of about 10KΩ.

**Specific Technical Data (Model Specifications)**
**30 V and 21 V Families**

Order Code	OZLC500C18AD	OZLC650C18AD	OZLC850C23AD
<b>Parameter</b>			
Maximum Input Power	18 W	18 W	23 W
Input Current (typical)	80 mA @ 220 -240 V ac	80 mA @ 220 -240 V ac	100 mA @ 220 -240 V ac
Input PF	≥ 0.98 typical		
Input THD	< 10% typical		
Rated Output Current CC Mode	500 mA (± 5%)	650 mA	850 mA
CV (LED Strip) Compatible	No	Yes: 24 V Strip	Yes: 24V strip
Rated Output Current CV Mode	N/A	500 mA	650 mA
Efficiency at Maximum Load	80%		
Nominal Output Voltage Range	18 – 30 V dc (6 – 10 LEDs)	12 – 21 V dc (4 – 7 LEDs)	12 – 21 V dc (4 – 7 LEDs)
No-load Output Voltage (Nom)	35 V	25 V	25 V
Short Circuit Output Current	≤ 80 mA	≤ 100 mA	≤ 130 mA
Off State Standby Power	< 0.4 W	< 0.3 W	< 0.3 W

**36 V Family**

Order Code	OZDC36C250AD	OZDC36C350AD	OZDC36C500AD
<b>Parameter</b>			
Maximum Input Power	12 W	16 W	23 W
Input Current (typical)	50 mA @ 220 - 240 V ac	70 mA @ 220 - 240 V ac	100 mA @ 220 - 240 V ac
Input PF	≥ 0.96	≥ 0.98	
Input THD	≤ 14%	≤ 12%	≤ 10%
Rated Output Current CC Mode	250 mA (± 5%)	350 mA	500 mA
CV (LED Strip) Compatible	No	No	No
Efficiency at Maximum Load	80%	81%	82%
Nominal Output Voltage Range	30-39 V dc (10 to 13 LEDs)		
No-load Output Voltage (Nom)	42 V		
Short Circuit Output Current	≤ 40 mA	≤ 60 mA	≤ 80 mA
Off State Standby Power	< 0.5 W		

**Product Specific or OEM Versions**

Versions can be made with OEM branding and artwork. Specialised voltage or current combinations can be produced. USA versions (AC: 120 V / 60 Hz) are available. An MOQ may apply. Contact Ozuno for more information.

**Standards & Compliance**

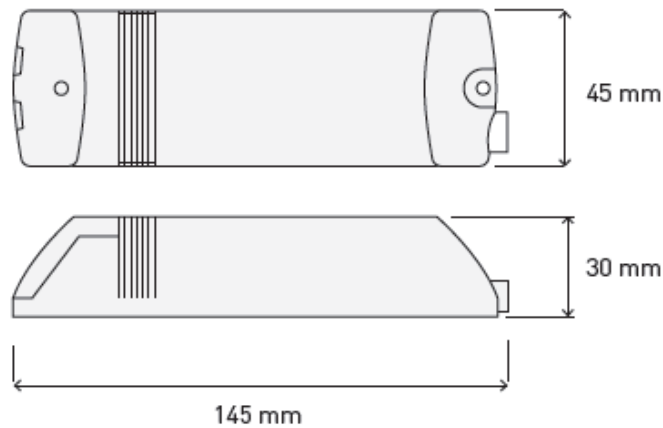
IEC/EN 55015, AS/NZS CISPR 15, AS CISPR 15  
 IEC 61347-1, AS/NZS 61347.1  
 IEC 61347-2-13, AS/NZS 61347.2.13

**EC Council Directives**

2006/95/EC Low Voltage  
 2004/108/EC Electromagnetic Compatibility (EMC)  
 2011/65/EU Restriction of Hazardous Substances (RoHS) in Electrical and Electronic Equipment



**Dimensions**



**Contact Information**

Web [www.ozuno.com](http://www.ozuno.com)  
 All Enquiries +61 8 8362 7584 [sales@ozuno.com](mailto:sales@ozuno.com)

**Ozuno Trading Pty Ltd**

ABN: 96 621 194 483  
 4/115 Payneham Rd  
 St Peters SA 5069  
 Australia

This product includes a **FIVE-YEAR WARRANTY** against manufacturing defects.

**COPYRIGHT** © 2020 This document is copyright by Ozuno Holdings Limited. Except as permitted under relevant law, no part of this data sheet may be reproduced by any process without written permission of and acknowledgement to Ozuno.

**DISCLAIMER.** Ozuno Holdings Limited (Ozuno) reserves the right to alter the specifications, designs or other features of any items and to discontinue any items at any time without notice and without liability. While every effort is made to ensure that all information in this Data Sheet is correct, no warranty of accuracy is given and Ozuno shall not be liable for any error.

**TRADEMARKS.** The identified trademarks and copyrights are the property of Ozuno Holdings Limited unless otherwise noted.

13-18-503-107-01 March 2020