

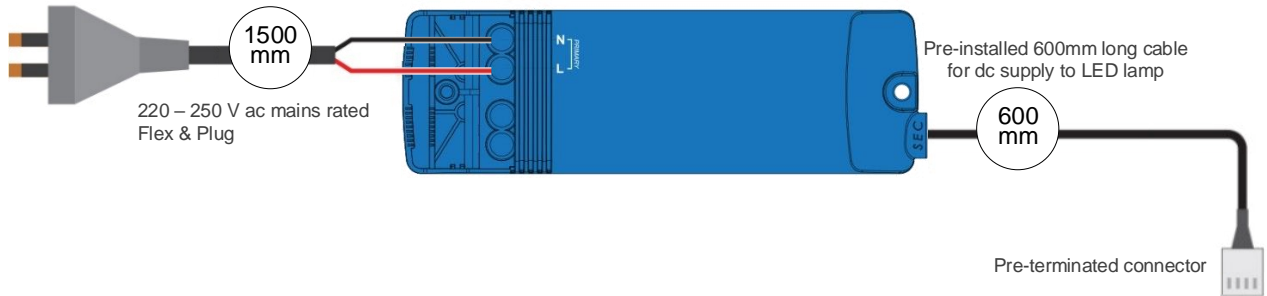


| | |
|-----------------------------|--|
| Order Codes | 21 V Family: OZLC650C18PD; OZLC850C23PD 36 V Family: OZDC36C250PD; OZDC36C350PD; OZDC36C500PD |
| Overview | <p>A premium range of Constant Current LED drivers suitable for driving and dimming LED loads controlled by standard phase cutting dimmers.</p> <p>Drivers can be mounted inside a luminaire, a control gear housing, or be used as a separate driver for connection to a LED light engine.</p> <p>LED voltage and maximum current are shown in the Model Specifications table. Some models also support 24V Constant Voltage lamps, such as LED strip.</p> |
| Features | <ul style="list-style-type: none"> • World leading compatibility with all 2-wire trailing-edge, universal and leading-edge phase control dimmers. • Presents as an ideal load for typical trailing-edge or universal dimmers, enabling smooth dimming from 0% to 100% without LED load flicker issues. • Compatible with 2-wire electronic switches, non-separately switched dimmers and 3-wire dimmers. No LED load ghosting or flicker issues in load off-state. • Built in dimming-curve, producing linear perceived brightness control. • LED output connection has open-circuit and short-circuit protection, with auto-recovery. • Compatible with all current-regulated LED lamp types that match the dc current and voltage operating specifications - including Sunset Dim lamps and Constant Colour lamps. • Integral thermal wind-back of output current with all LED lamps, to protect against LED Driver damage under adverse temperature conditions. • Tool removable terminal cover makes it suitable for installation inside and outside luminaires. • Pre-terminated dc lead for quick installation to compatible lamps. • Cable strain relief for Mains connection and dc lead. |
| Typical Applications | Commercial Buildings, Hotels, Health Care facilities, Education facilities, Museums, Art Galleries, Shopping Centres, Domestic houses, etc. |

Driver Connections: -A4 cable configuration (standard configuration)

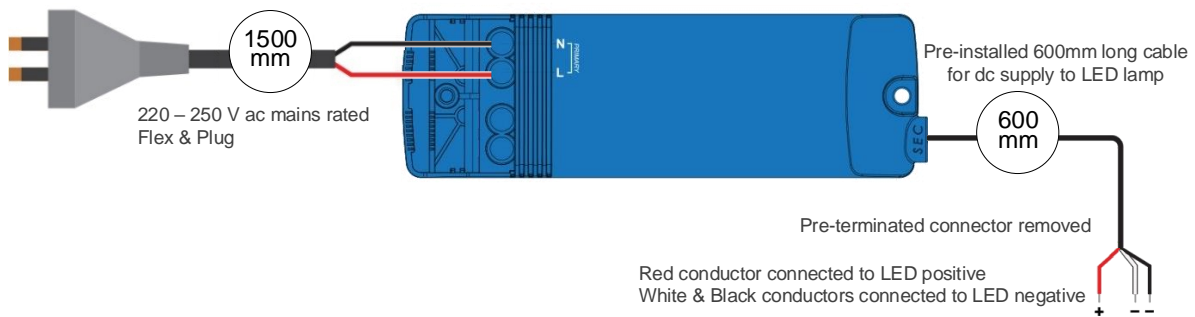
Australian 1.5 m flex & plug and 600 mm 3-core 4-way plug configuration.

Driver connection to 4 pin lamp



Driver connection to 3rd party lamp

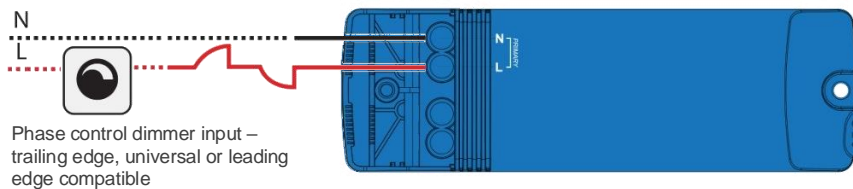
Australian 1.5 m flex & plug and 600 mm 3-core 4-way plug configuration.



Australian mains plug shown. Other options available – see order codes,

Phase dimmer input to control dimming level of connected LED lamp

Using a trailing edge, universal or leading edge dimmer in conjunction with the LED driver



General Specifications

| Parameter | Specification |
|-------------------------------|---|
| Input Voltage / Frequency | 220 – 250 V ac / 50 - 60 Hz Contact Ozuno for 120 V ac / 60 Hz versions and order codes |
| Line Voltage Regulation | 100% |
| Maximum Turn-on Delay | 50 ms |
| Short Circuit Output Current | ≤ 500 mA |
| Short Circuit Load | Auto-recover |
| Mains Connection Cable | Order Code Suffix -xn : -An: 1.5 m long, pre-terminated with Australian/NZ 240Vac 10A mains plug -Fn: 1.5 m long mains flex, terminated with crimps only -Xn: no mains connection cable pre-fitted Contact Ozuno for alternative mains cable termination |
| DC Output Cable | Order Code Suffix -xn : -x2: 600 mm long, pre-terminated 2-core cable, 2-way polarised connector -x4: 600mm long, pre-terminated 3-core cable, 4-way polarised connector Contact Ozuno for alternative lamp cable termination |
| Standard Order Code | OZLCnnnCnnPD-X2 OZDC36CnnnPD-X2 No mains cable. 600 mm long, pre-terminated 2-core cable with 2-way polarised lamp connector |
| Mains Terminals | 2 x 2.5 mm ² maximum per terminal or 3 x 1.5 mm ² maximum per terminal |
| Fixing | 1 x 4 mm diameter fixing hole |
| Weight | Product: 240 g Boxed Product: 275 g <i>-A4 cable configuration</i> |
| Box / Packaging Dimensions | 190 x 85 x 50 mm |
| System Rated Life (Driver) | 50 000 Hours |
| Ambient Operating Temp. Range | 0 - 50° C |
| Maximum Case Temperature tc | 85° C (@ Ta = 50° C) |
| Operating Humidity Range | 0% to 95% RH non-condensing |
| Housing Material Type | Flame retardant polycarbonate, UL 94V-0 |
| IP Rating | IP20 |

Specific Technical Data (Model Specifications)
21 V Family

| Order Code | OZLC650C18PD | OZLC850C23PD |
|--------------------------------|---------------------------|----------------|
| Parameter | | |
| Maximum Input Power | 18 W | 23 W |
| Input Current (typical) | 80 mA @ 240 V | 100 mA @ 240 V |
| Input PF | ≥ 0.98 typical | |
| Input THD | ≤ 10% typical | |
| Rated Output Current CC Mode | 650 mA | 850 mA |
| CV (LED Strip) Compatible | Yes: 24 V Strip | Yes: 24V Strip |
| Rated Output Current CV Mode | 500 mA | 650 mA |
| Efficiency at Maximum Load | 81% | 82% |
| Nominal Output Voltage Range | 12 – 21 V dc (4 – 7 LEDs) | |
| Nominal No-load Output Voltage | 24 V | |
| Dimming Range | 0% - 100% | |

36 V Family

| Order Code | OZDC36C250PD | OZDC36C350PD | OZDC36C500PD |
|--------------------------------|---|---------------|----------------|
| Parameter | | | |
| Input Current (typical) | 50 mA @ 240 V | 70 mA @ 240 V | 100 mA @ 240 V |
| Maximum Input Power | 12 W | 16 W | 23 W |
| Input PF | ≥ 0.96 | ≥ 0.98 | |
| Input THD | ≤ 14% | ≤ 12% | ≤ 10% |
| Rated Output Current CC Mode | 250 mA (± 5%) | 350 mA (± 5%) | 500 mA (± 5%) |
| CV (LED Strip) Compatible | No | No | No |
| Efficiency at Maximum Load | 80% | 82% | 83% |
| Nominal Output Voltage Range | 21 – 39 V dc (7 – 13 LEDs) | | |
| Nominal No-load Output Voltage | 42 V | | |
| Dimming Range | 0.5% - 100%, with suitably capable dimmer | | |

Product Specific or OEM Versions

Versions can be made with OEM branding and artwork. Specialised voltage or current combinations can be produced. USA versions (AC: 120 V / 60 Hz) are available. An MOQ may apply. Contact Ozuno for more information.

Standards & Compliance

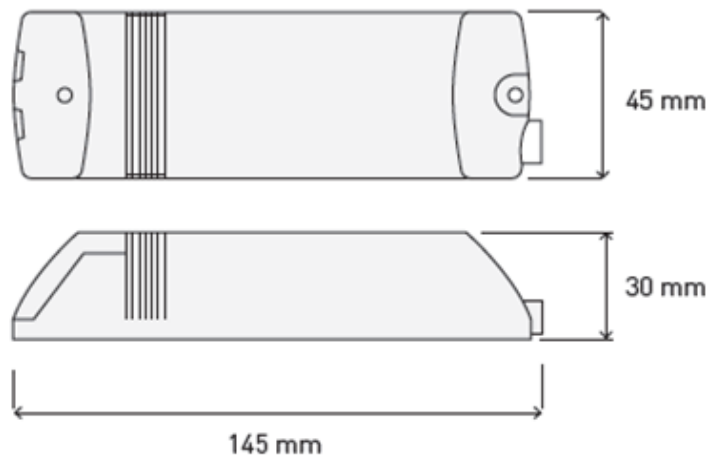
IEC/EN 55015, AS/NZS CISPR 15, AS CISPR 15
 IEC 61347-1, AS/NZS 61347.1
 IEC 61347-2-13, AS/NZS 61347.2.13

EC Council Directives

2006/95/EC Low Voltage
 2004/108/EC Electromagnetic Compatibility (EMC)
 2011/65/EU Restriction of Hazardous Substances (RoHS) in Electrical and Electronic Equipment



Dimensions



Contact Information

Web www.ozuno.com
 All Enquiries +61 8 8362 7584 sales@ozuno.com

Ozuno Trading Pty Ltd

ABN: 96 621 194 483
 4/115 Payneham Rd
 St Peters SA 5069
 Australia

This product includes a **FIVE-YEAR WARRANTY** against manufacturing defects.

COPYRIGHT © 2019 This document is copyright by Ozuno Holdings Limited. Except as permitted under relevant law, no part of this data sheet may be reproduced by any process without written permission of and acknowledgement to Ozuno.

DISCLAIMER. Ozuno Holdings Limited (Ozuno) reserves the right to alter the specifications, designs or other features of any items and to discontinue any items at any time without notice and without liability. While every effort is made to ensure that all information in this Data Sheet is correct, no warranty of accuracy is given and Ozuno shall not be liable for any error.

TRADEMARKS. The identified trademarks and copyrights are the property of Ozuno Holdings Limited unless otherwise noted.

13-18-503-103-01 March 2020