



Order Codes OZDM;
MEDM;

Overview Provides optimised dimming of LED based lamps and drivers. This high quality, two-wire phase control wall plate dimmer has a minimum load rating of 2 W allowing it to operate with a wide range of available LED drivers. Although optimised for LED lighting loads, this dimmer also provides excellent compatibility with other common lamps types such as incandescent lamps, 12 V halogen (dichroic) lamps/transformers and dimmable CFL's.

Features

- Fits common wall switch plate apertures.
- Rotary control with mechanical adjustment for minimum brightness level.
- Separately switched 2-wire design – no neutral wire connection required for wall plate retrofit installation.
- An integrated LED indicator illuminates the dimmer knob and switch at low dimming levels.
- Minimum brightness typically 0%.
- Incorporates a thermal fuse to protect itself against overheating.
- Incorporates filtering to reduce load brightness variation under conditions of line voltage ripple signal injection.
- Thermal wind-back for overload and over temperature protection.
- “Soft-start” to help prolong the lamp and driver life.
- Protected against damage from connection to incompatible inductive load types (i.e. motor loads), via conduction angle wind-back.
- Stable operation with most non-dimmable lamps (to a limited dimming level, lamp dependent).
- Inherent immunity to installation wiring short circuit fault.
- Complies with relevant safety standards.

Typical Applications Commercial Buildings, Hotels, Health Care facilities, Education facilities, Museums, Art Galleries, Shopping Centres, Domestic houses.

Compatible Load Types

Load Symbol	Load Type	Maximum Load	Notes
	Dimmable LED Drivers	400 W	The LED Driver must be dimmable. Please consult LED lamp manufacturers specifications. Maximum permitted number of drivers is 400 W divided by driver nameplate power rating. Due to variety of LED lamp designs, maximum number of LED lamps is further dependent on power-factor result when connected to dimmer.
	Electronic Transformers	400 W	
	Iron-Core Transformers (Standard)	250 W	Due to variety of transformer designs, maximum LV lighting load is further dependent on transformer efficiency.
	Iron-Core Transformers (Toroidal)	300 W	
	Incandescent / 240 V Halogen	350 W	
	Dimmable CFLs	400 W	Due to variety of CFL designs, maximum number of CFL lamps is dependent on particular CFL make / model.

Multi-gang De-rating

Where multiple dimmers are installed in the same multi-gang plate, the following de-rating factors should be applied to the maximum load:

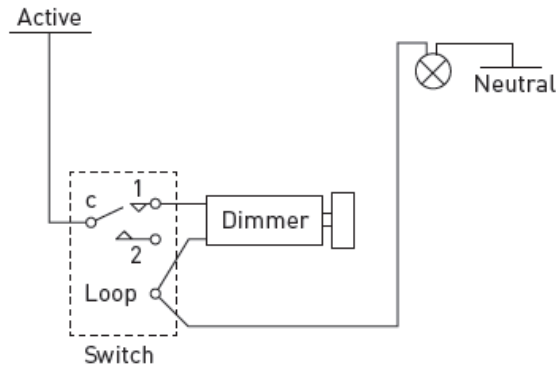
Number of dimmers per plate	De-rating Factor
1 (plus separate switch)	No de-rating
2 (plus 2 separate switches)	0.85
3 (plus 3 separate switches)	0.70
De-rating Examples	
Two dimmers (and associated switches) installed in a wall plate	The maximum LED load that can be connected to each dimmer = 400 W x 0.85 = 340 W per dimmer
Three dimmers (and associated switches) installed in a wall plate	The maximum incandescent load that can be connected to each dimmer = 350 W x 0.70 = 245 W per dimmer

General Specifications

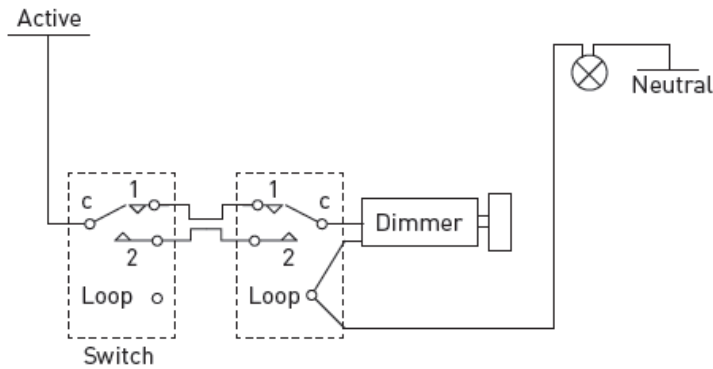
Parameter	Specification
Input Voltage / Frequency	220 – 240 V ac / 47 - 53 Hz
Load Brightness Control Range	< 1% to > 95% (load dependent)
Rated Load	Refer Compatible Loads table
Minimum Load	2 W
Incompatible Load Types	Inductive loads, such as exhaust fans, ceiling sweep fan motors
Weight	35 g
Ambient Operating Temp. Range	0 - 50° C
Ambient Storage Temp	85° C (@ Ta = 50° C)
Operating Humidity Range	0% to 95% RH non-condensing
Housing Material Type	Flame retardant polycarbonate, UL 94V-0
IP Rating	IP20

Typical Electrical Connections

One-Way Connection Diagram



Two-Way Connection Diagram



Standards & Compliance

Australian / New Zealand EMC and Electrical Safety Frameworks and Standards

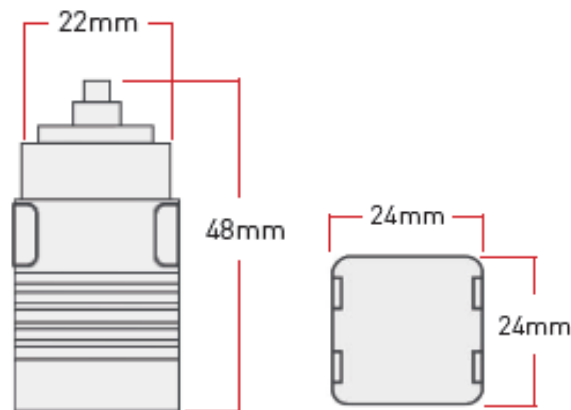
Regulation	Standard	Title
EMC	AS/NZS CISPR 15:2011	Limits and methods of measurement of radio disturbance characteristics of electrical lighting and similar equipment
Electrical Safety	IEC 60669-2-1:2002 (Fourth edition) + A1:2008 used in conjunction with IEC 60669-1:1998 (Third edition) + A1:1999 + A2:2006	Switches for household and similar fixed-electrical installations Part 2-1: Particular requirements – Electronic switches

EC Council Directives

EC Council Directive	Title
2006/95/EC	Low Voltage
2004/108/EC	Electromagnetic Compatibility (EMC)
2011/65/EU	Restriction of Hazardous Substances (RoHS) in Electrical and Electronic Equipment



Dimensions



Contact Information

Web www.ozuno.com
 All Enquiries +61 8 8362 7584 sales@ozuno.com

Ozuno Trading Pty Ltd

ABN: 96 621 194 483
 4/115 Payneham Rd
 St Peters SA 5069
 Australia

This product includes a **TWO-YEAR WARRANTY** against manufacturing defects.

COPYRIGHT © 2019 This document is copyright by Ozuno Holdings Limited. Except as permitted under relevant law, no part of this data sheet may be reproduced by any process without written permission of and acknowledgement to Ozuno.

DISCLAIMER. Ozuno Holdings Limited (Ozuno) reserves the right to alter the specifications, designs or other features of any items and to discontinue any items at any time without notice and without liability. While every effort is made to ensure that all information in this Data Sheet is correct, no warranty of accuracy is given and Ozuno shall not be liable for any error.

TRADEMARKS. The identified trademarks and copyrights are the property of Ozuno Holdings Limited unless otherwise noted.

13-13-021-001-01 July 2019