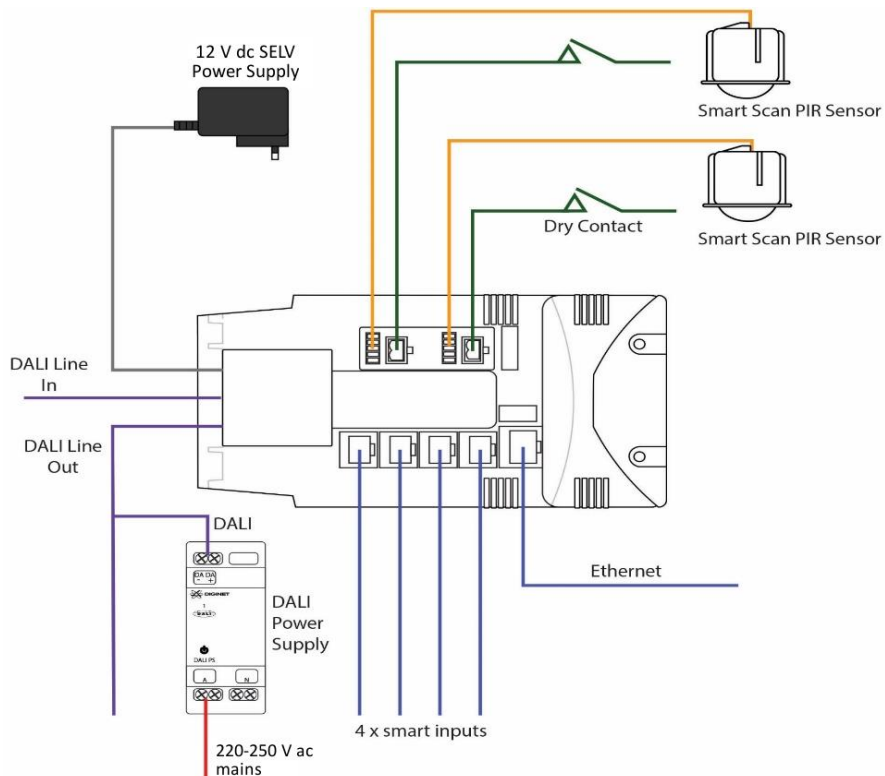
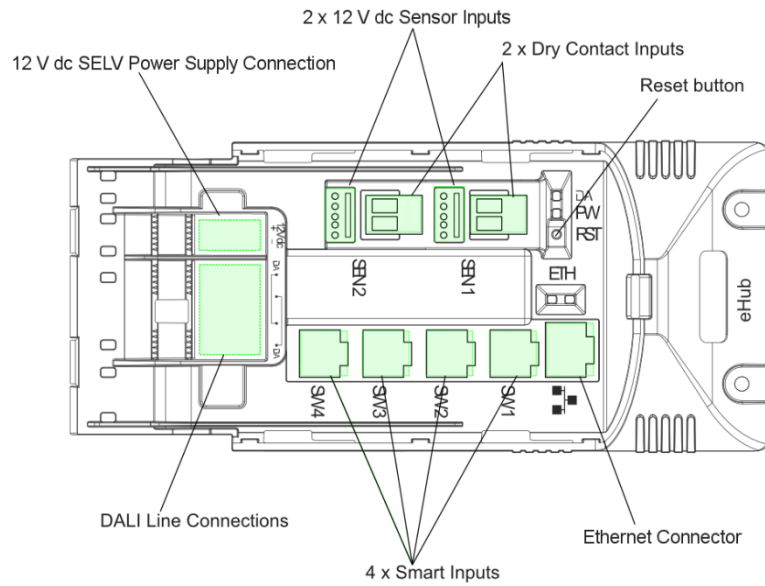




<b>Order Code</b>	DKOZ-EHUB-4G-2S
<b>Overview</b>	<p>The RAPIX eHub is a system device which connects between RAPIX input peripherals and a DALI line. The eHub manages device power requirements, embedded logical functions and DALI communications for the connected peripherals. The connected input peripherals, such as wall switches and sensors, are then able to communicate with a DALI Line.</p> <p>The unit includes four inputs for connecting to RAPIX Lighting Control System switches or smart sensors, and two additional input connections for occupancy sensors or dry-contacts.</p> <p>The eHub is a compact unit which fits through a standard 90 mm downlight hole and is suitable for locating in a ceiling void.</p> <p>The eHub is configured via the RAPIX software suite.</p>
<b>Features</b>	<ul style="list-style-type: none"> <li>Powered via external 12 V dc SELV power supply.</li> <li>Input sockets for quick and easy input peripheral connection.</li> <li>Segregated terminal block for DALI Line connections.</li> <li>LED indicators for power, DALI and Ethernet.</li> <li>Suitable for mounting in a ceiling void</li> <li>Fits through a 90 mm downlight hole.</li> <li>Programmed via DALI.</li> <li>Four input connections for RAPIX smart input peripherals.</li> <li>Two input connectors for occupancy sensors and/or dry-contact input peripherals.</li> <li>Actions for connected input peripherals are configurable. For example, a RAPIX modular switch can be configured as a toggle dimmer, memory dimmer, long press fade time, double tap action and many other configurations.</li> <li>Support for 32 'Zones', Zones being collections of DALI Groups and/or DALI Short Addresses.</li> <li>Support for up to 16 DALI scenes and (additionally) 16 RAPIX scenes.</li> </ul>
<b>Typical Applications</b>	Commercial buildings, Boardrooms, Hotels, Health care facilities, Education facilities, Homes.

**Input and output connections**

- 12 V dc SELV power supply connection
- A DALI line, with up to 64 DALI devices (each with a DALI Short Address) connected to the line
- Four connections for RAPIX smart input peripherals
- Two input peripheral connections for dry-contacts and two 12 V dc sensors (*Note: each pair of dry contact and 12 V dc sensor inputs are internally connected in parallel*)
- An Ethernet connection (integration with other systems & future use)



**Specifications**

Parameter	Specification
Power source	External SELV power supply: 12 V dc regulated, 1.5 A (including power capacity for input peripheral devices) Note: an Australian 12 V dc power supply is included with the product
DALI line capacity	Connects to 1 DALI line
DALI line addressing	Up to 64 devices with DALI Short Addresses can be connected on a DALI line. <i>The eHub does not use a DALI Short Address</i>
Max no. of eHubs per DALI Line	24
DALI Line Operating Voltage	18 V dc (nominal), supplied by external DALI power supply
DALI Line Current Draw	2 mA (nominal)
Number of Smart Inputs	4
Number of Dry-contact Inputs	2 voltage-free, isolated, dry-contact inputs (in parallel with sensor inputs)
12 V dc Sensor Inputs	2 sensor inputs (in parallel with dry-contact inputs)
Ethernet connection	10/100 Base-T, RJ45 connector
DALI Connection	4 Tunnel Terminal block, each tunnel suitable for 2 x 2.5 mm <sup>2</sup>
LED Indicators	Power – Red DALI – Green Ethernet – Green (Link) + Yellow (Data)
External Power connector	2 Tunnel Terminal block for dc + and -
Ambient operating temperature	0 to 50° C
Ambient storage temperature	-10 to 70° C
Humidity	0% to 95% RH non-condensing
Ingress protection	IP20
Materials	Enclosure – Flame retardant polycarbonate, UL 94V-0
Weight	215 g (excluding power supply)

## Standards & Compliance

### EMC and Electrical Safety Frameworks and Standards

Regulation	Standard	Title
EMC	AS/NZ CISPR 22:2009	Information Technology Equipment – Radio Disturbance Characteristics – Limits and Methods of Measurement
	AS/NZS CISPR 22-A:2010	
Electrical Safety	AS/NZS 60950-1:2011	Information Technology Equipment - Safety

### EC Council Directives

EC Council Directive	Title
2006/95/EC	Low Voltage
2004/108/EC	Electromagnetic Compatibility (EMC)
2011/65/EU	Restriction of Hazardous Substances (RoHS) in Electrical and Electronic Equipment

### Other International Directives and Standards

Regulation	Standard	Title
Digital Addressable Lighting Interface (DALI)	IEC 62386-101	Digital Addressable Lighting Interface – Part 101: General Requirements – System
	IEC 62386-102	Digital Addressable Lighting Interface – Part 102: General Requirements – Control Gear



IP20

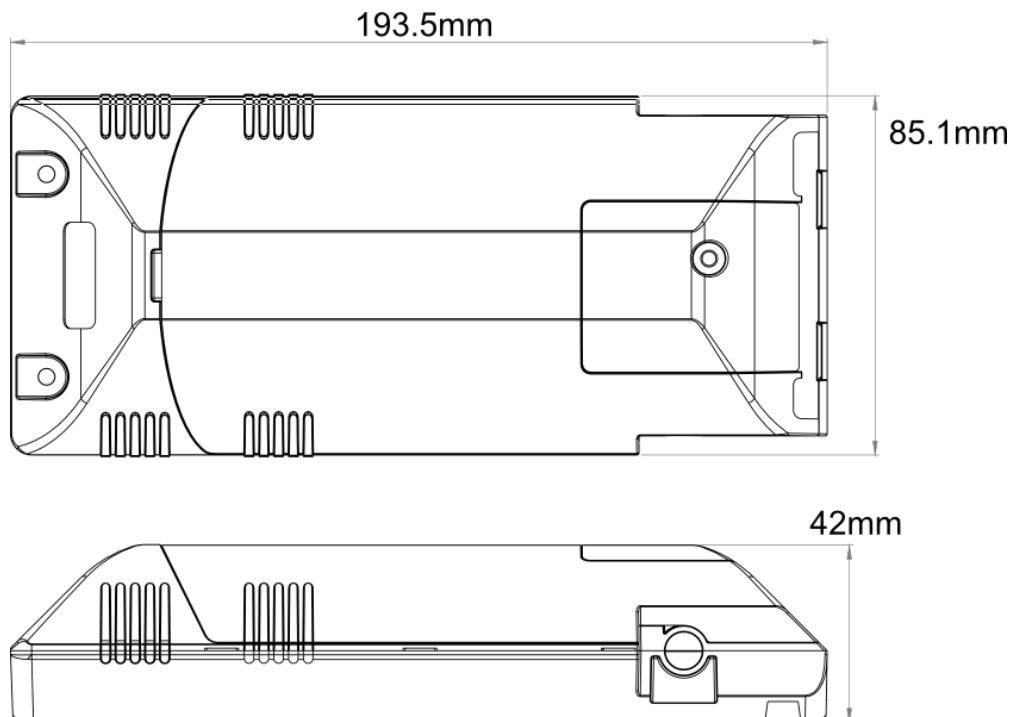
CE



**ROHS**  
COMPLIANT



## Dimensions



---

**Contact Information**

Web [www.ozuno.com](http://www.ozuno.com)  
All Enquiries +61 8 8362 7584 [sales@ozuno.com](mailto:sales@ozuno.com)

**Ozuno Trading Pty Ltd**

ABN: 96 621 194 483  
4/115 Payneham Rd  
St Peters SA 5069  
Australia

This product includes a **TWO-YEAR WARRANTY** against manufacturing defects.

**RAPIX** is a trademark of Ozuno Holdings Limited and Gerard Lighting Pty Ltd.

**COPYRIGHT** © 2019 This document is copyright by Ozuno Holdings Limited. Except as permitted under relevant law, no part of this data sheet may be reproduced by any process without written permission of and acknowledgement to Ozuno.

**DISCLAIMER.** Ozuno Holdings Limited (Ozuno) reserves the right to alter the specifications, designs or other features of any items and to discontinue any items at any time without notice and without liability. While every effort is made to ensure that all information in this Data Sheet is correct, no warranty of accuracy is given and Ozuno shall not be liable for any error.

**TRADEMARKS.** The identified trademarks and copyrights are the property of Ozuno Holdings Limited unless otherwise noted.

13-12-008-001-01 July 2019