



**Order Code** DGLMPS01

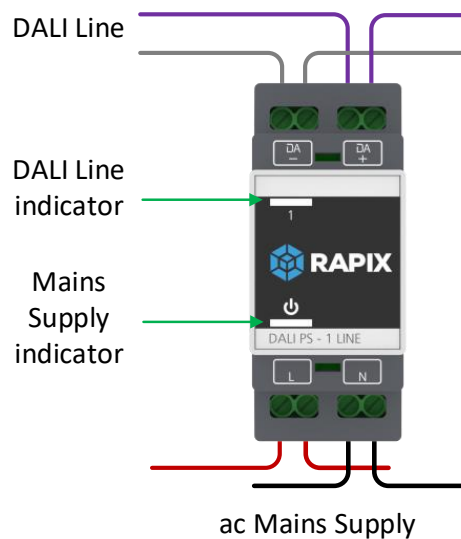
**Overview** A certified DALI-2 compliant Power Supply for a single line of the Digital Addressable Lighting Interface (DALI) open standard protocol for lighting.

Each DALI line in an installation requires a dedicated DALI power supply for correct operation.







This unit provides power for one DALI line that may contain lighting fixtures including emergency lighting, fluorescent or LED lamp, colour changing lighting, conversion devices, switches, sensors and interface devices. Each of these DALI devices draws power from the DALI line which is provided by the DALI Power Supply.

- Features**
- Ensures the maximum current delivered to a DALI line will not be exceeded.
  - Indicators for displaying the status of the mains supply connection and the DALI line.
  - Nominal DALI current 238 mA, guaranteed minimum DALI current of 225 mA.
  - DIN rail mounted.
  - Complies with DALI standard IEC 62386-101.

## Connections



**Specifications**

Parameter	Specification	
Nominal Input Voltage	100 – 240 V ac	
Input Power	10 VA	
Frequency	50 – 60 Hz	
DALI Line Capacity	1	
DALI Line Supply Voltage	18 V dc (nominal)	
DALI Line Supply current	225 mA (guaranteed) / 238 mA (nominal) / 250 mA (maximum)	
Suitability	DALI and DALI-2 Systems	
Isolation	> 3.75 kV ac (DALI line/mains supply)	
Start-up Time	< 20 ms	
DALI Line Terminals	Screwed – 3 x 1.5 mm <sup>2</sup> solid/stranded	
Mains Supply Terminal	Screwed – 3 x 1.5 mm <sup>2</sup> or 2 x 2.5 mm <sup>2</sup> solid/stranded per tunnel	
Ingress Protection	IP20	
Materials: Enclosure/Fascia	Flame retardant Polycarbonate, UL 94V-0	
Materials: DIN Rail Clip	ABS	
Weight	104g	
Ambient Operating Temp.	-20 to 50° C	
Ambient Storage Temp.	-20 to 70° C	
Humidity	0% to 95% RH non condensing	
DALI Line Indicator	<b>Indicator Display</b>	<b>Meaning</b>
	Green: ON	Correct operation, supplying 18 V dc (nominal) to the DALI line
	Green/Blue: Flashing	DALI communications occurring on the connected DALI line
	Green/Blue: ON	Overload condition – too many DALI devices or a faulty device(s) on the DALI line
	Blue: ON	Short circuit on the connected DALI line
	OFF	DALI line power error. Check that 220 / 240 V ac mains supply is connected correctly.
Mains Supply Indicator	<b>Indicator Display</b>	<b>Meaning</b>
	Green: ON	Correct operation indicating 220 / 240 V ac mains supply is present
	OFF	No 220 / 240 V ac mains supply connected
Approvals	     	

**Standards & Compliance*****EMC and Electrical Safety Frameworks and Standards***

AS/NZS CISPR 15:2011

EN 61000-3-2:2009

EN 61000-3-3:2013

EN 61547:2009

AS/NZ 61347.1:2002, EN 61347-1:2008+A1, A2

AS/NZ 61347.2.2:2007

IEC 61347-2-13

EN 61347-2-11:2002

***DALI Standards and Compliance***

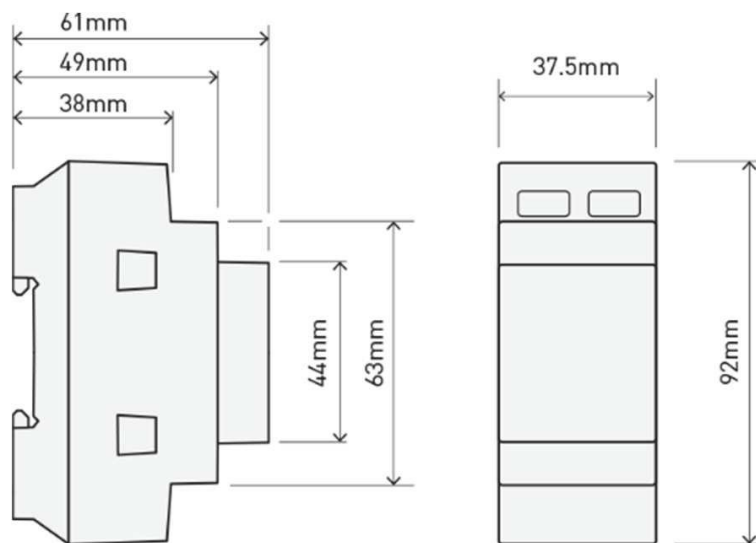
IEC 62386-101, Ed 2 (DALI-2)

***EC Council Directives***

2014/35/EU Low Voltage

2014/30/EU Electromagnetic Compatibility (EMC)

2015/863 Restriction of Hazardous Substances (RoHS) in Electrical and Electronic Equipment

**Dimensions**

---

**Contact Information**

Web [www.ozuno.com](http://www.ozuno.com)  
All Enquiries +61 8 8362 7584 [sales@ozuno.com](mailto:sales@ozuno.com)

**Ozuno Trading Pty Ltd**

ABN: 96 621 194 483

This product includes a **TWO-YEAR WARRANTY** against manufacturing defects.

**RAPIX** is a trademark of Ozuno Holdings Pty Ltd.

**DALI** and **DALI-2** are trademarks of the Digital Illumination Interface Alliance.

**COPYRIGHT** © 2021-2025 This document is copyright by Ozuno Holdings Pty Ltd. Except as permitted under relevant law, no part of this data sheet may be reproduced by any process without written permission of and acknowledgement to Ozuno.

**DISCLAIMER.** Ozuno Holdings Pty Ltd (Ozuno) reserves the right to alter the specifications, designs or other features of any items and to discontinue any items at any time without notice and without liability. While every effort is made to ensure that all information in this Data Sheet is correct, no warranty of accuracy is given and Ozuno shall not be liable for any error.

**TRADEMARKS.** The identified trademarks and copyrights are the property of Ozuno Holdings Pty Ltd unless otherwise noted.

13-10-050-001-06 December 2025