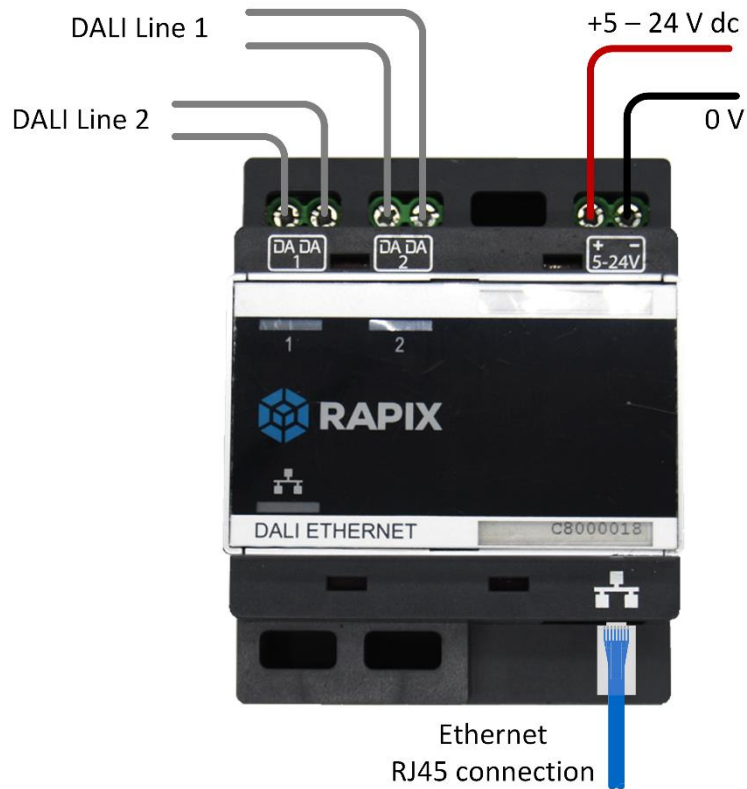
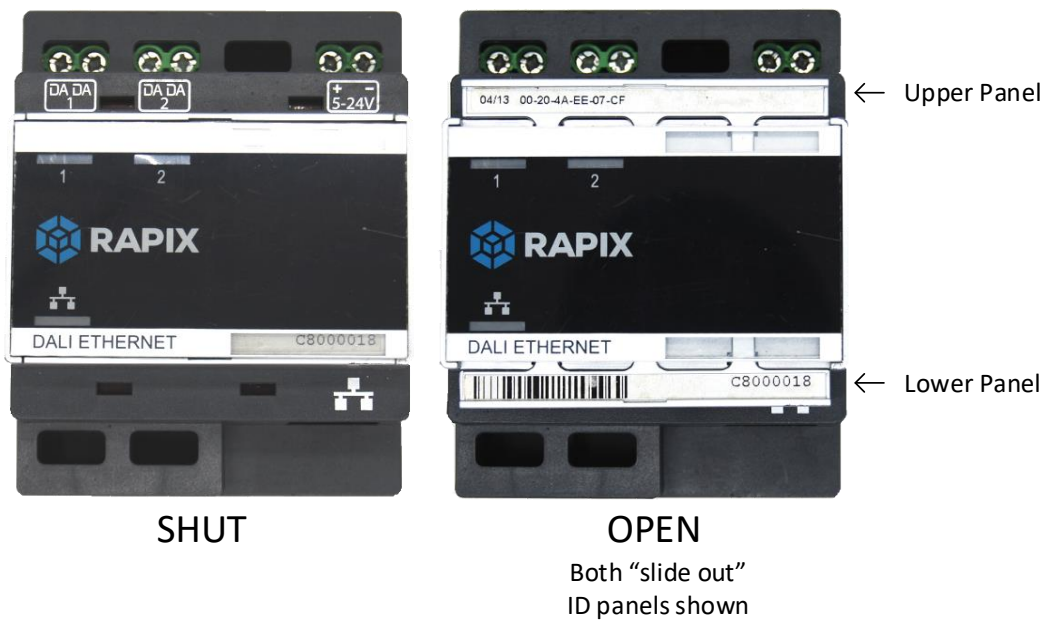


Order Code	DGLMIFE02
Overview	<p>This product provides an isolated communication path between Ethernet and 1 or 2 lines of the Digital Addressable Lighting Interface (DALI-2) open standard protocol for lighting.</p> <p>This device allows a low-cost extension of RAPIX DALI-2 Zone Controllers, where up to 2 Ethernet Interfaces can be operated by a Zone Controller. Up 4 DALI lines can be added that are physically separated from the Zone Controller and linked by Ethernet. When used in conjunction with the PC-based RAPIX Emergency software, DALI-1 and DALI-2 emergency lighting devices can be monitored on a schedule with automatic generation of test and maintenance reports.</p>
Features	<ul style="list-style-type: none"> • Supports two DALI lines and each line can have up to 64 DALI addressable units such as LED drivers, Fluorescent Ballasts, and Emergency Lighting Drivers. • 2 mA current draw on each DALI line. • Operates with 10 / 100 / 1000 Mbits / sec twisted pair network types. • Address assignment with DHCP or static setting. • With RAPIX Emergency software, multiple Ethernet / DALI Interface devices may be installed and operate as a single system. • Add additional DALI lines to a RAPIX DALI-2 Zone Controller. • Connection on the device uses an RJ45 8 pin socket (T568A termination). • DIN rail mounted. • DALI line communication LED indicators for each line. • Ethernet communication LED indicator. • Complies with DALI-2 standards IEC 62386-101 and IEC 62386-103. • SYSTEM OR SOFTWARE DEVELOPERS: A software development kit is available. This device can be custom-branded for your application.
Typical Applications	Commercial buildings, Boardrooms, Hotels, Health care facilities, Education facilities, Homes.

Connections

Identification Panels


Specifications

Parameter	Specification
Input Voltage	5 to 24 V dc
Input Power	1.2 VA (active) / 2.5 VA (start-up)
DALI line capacity	2 DALI Lines
DALI Line Operating Voltage	18 V dc (nominal) on each line supplied by external DALI power supply
DALI Line Current Draw	2 mA per line
Frequency	50 / 60 Hz
Isolation	≥ 3.75 kV ac Ethernet RJ45 to DALI line terminals
	≥ 1.5 kV ac Ethernet RJ45 to SELV (5 – 24 V dc) terminals
Start-up Time	< 30 sec
Ethernet	10 / 100 / 1000 Mbits / sec twisted pair network types
Ethernet connection	RJ45 8 pin plug (T568A termination)
DALI Line Terminals	Screwed – 3 x 1.5 mm ² solid / stranded or 2 x 2.5mm ² solid / stranded
dc Supply Terminals	Screwed – 2 x 1.5 mm ² solid / stranded
Ambient operating temperature	0 to 50° C
Ambient storage temperature	-10 to 70° C
Humidity	0% to 95% RH non-condensing
Ingress protection	IP20
Materials	Enclosure / Fascia – Flame retardant polycarbonate, UL 94V-0
	DIN rail clip – ABS
Weight	160 g

Standards & Compliance
EMC and Electrical Safety Frameworks and Standards

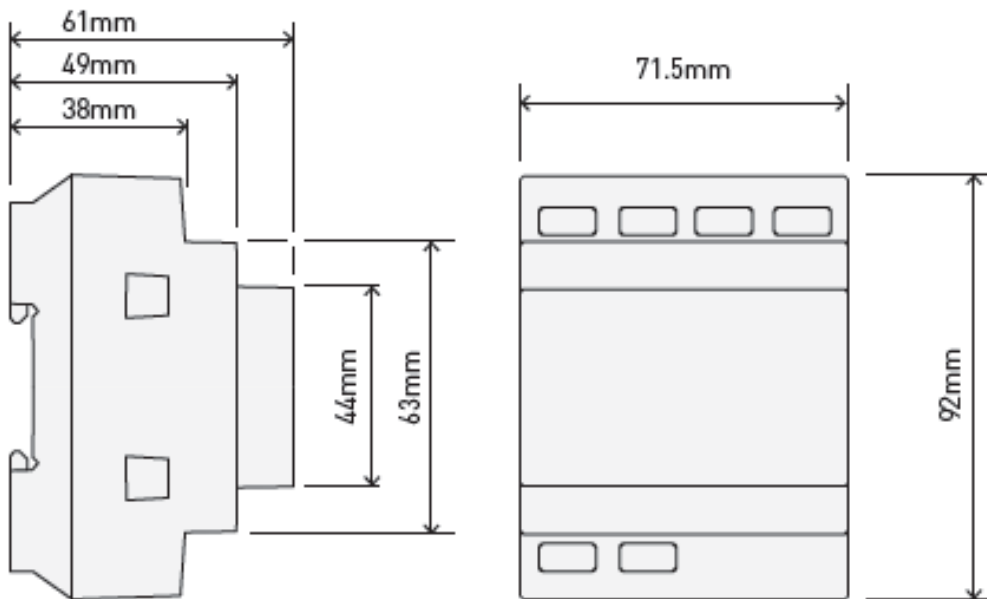
AS/NZS CISPR 22:2009, AS/NZS CISPR 22-A:2010
AS/NZS 60950-1:2011

DALI Standards and Compliance

IEC 62386-101 Ed 2 (DALI-2)
IEC 62386-103 (DALI-2 Control Devices)

EC Council Directives
Title

2014/35/EU Low Voltage
2014/30/EU Electromagnetic Compatibility (EMC)
2015/863 Restriction of Hazardous Substances (RoHS) in Electrical and Electronic Equipment

Dimensions**Contact Information**

Web www.ozuno.com
All Enquiries +61 8 8362 7584 sales@ozuno.com

Ozuno Trading Pty Ltd

ABN: 96 621 194 483

This product includes a **TWO-YEAR WARRANTY** against manufacturing defects.

RAPIX is a trademark of Ozuno Holdings Pty Ltd.

DALI and **DALI-2** are trademarks of the Digital Illumination Interface Alliance.

COPYRIGHT © 2019-2024 This document is copyright by Ozuno Holdings Pty Ltd. Except as permitted under relevant law, no part of this data sheet may be reproduced by any process without written permission of and acknowledgement to Ozuno.

DISCLAIMER. Ozuno Holdings Pty Ltd reserves the right to alter the specifications, designs or other features of any items and to discontinue any items at any time without notice and without liability. While every effort is made to ensure that all information in this Data Sheet is correct, no warranty of accuracy is given and Ozuno shall not be liable for any error.

TRADEMARKS. The identified trademarks and copyrights are the property of Ozuno Holdings Pty Ltd unless otherwise noted.

13-10-047-001-04 December 2024